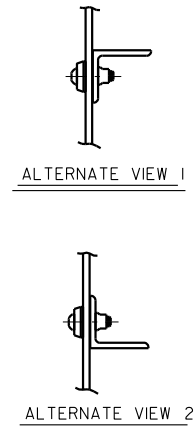
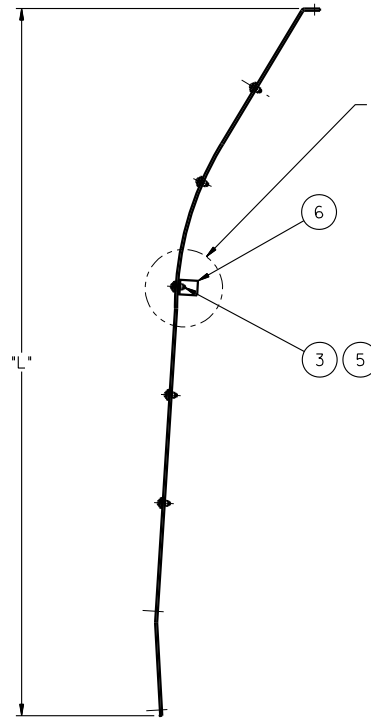
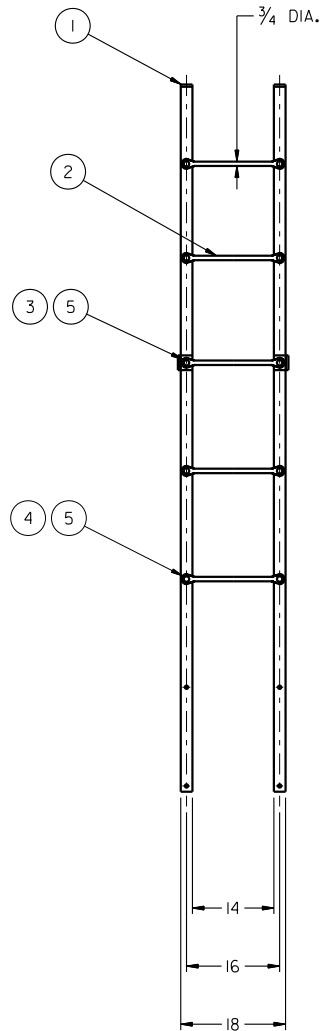


LINE	SYM.#1	SYM.#6	'L'	REMARKS						WT. (LBS.)
	PART NO.	PART NO.		TANK OR JACKET Q.D.	SLOPE	INSUL.	T.C.	ALT. VIEW	PLAT.*	
01	103391-01	20913-19	10'-1 ¹ / ₁₆ "	10 ¹ / ₁₆	1/16 F.F.	---	27'-0 ¹ / ₂ "	1	FP	51
02	103613-01	23586-17	9'-3 ¹ / ₁₆ "	102 ¹ / ₂	1/16 F.F.	6	34'-6"	2	2BP	64.3
03	103669-01	12088-77	9'-5 ¹ / ₄ "	98 ³ / ₄	S.S.	4	27'-5"	1	2BP	67.4
04	103690-01	12088-48	9'-9 ¹ / ₂ "	110 ³ / ₈	1/4 F.F.	4	20'-1 ¹ / ₂ "	1	2BP	69.4
05	105260-01	23586-17	9'-7 ³ / ₁₆ "	102 ⁵ / ₁₆	1/4 F.F.	---	31'-5 ¹ / ₂ "	2	2BP	70.42
06	105350-01	12088-55	9'-10 ¹ / ₈ "	106	S.S.	5	34'-1"	2	2BP	70.68

BILL OF MATERIAL					
SYM.	PART NO.	REQ.	DESCRIPTION	MATERIAL	WT. #
1	SEE TABLE	2	STILE - LADDER	A36	SEE TABLE
2	01764-08	5	LADDER RUNG	A107	12
3	305-4765	2	1/2" MAGNA-GRIP MGPB-R-16-28	STEEL	.46
4	305-4745	8	1/2" MAGNA-GRIP MGPB-R-16-16	STEEL	2.1
5	305-4838	10	1/2" MAGNAGRIP MGC-RIGU	STEEL	.6
6	SEE TABLE	2	ANGLE SHAPE W/HOLE	A36	---
7	212-7025	.08 GAL	PRIMER, ORGANIC ZINC VALSPAR	SEE NOTE#2	---



NOTES:

- 1.) ALL DIMENSIONS ARE REFERENCE DIMENSIONS.
- 2.) ALL NON-WELDED MATING SURFACES TO BE PRIMED WITH A HEAVY COAT OF PRIMER (SYM.#7) BEFORE ASSEMBLY.

* FP-FULL GRATING PLATFORM
2BP-DENOTES 2-BOARD 2 WAY PLATFORM

DEFAULT TOLERANCES — S/A DRAWING
ALL DIMENSIONS ARE INCHES UNLESS OTHERWISE NOTED
FRACTIONAL DIMENSIONS: ± 1/8
ANGULAR DIMENSIONS: ± 1°

ORIGINAL WHEN STAMP IS RED

A	01.22.98	MG	SYM.#3 PART NUMBER WAS 305-4750. SYM.#4 PART NUMBER WAS 305-4720. SYM.#5 PART NUMBER WAS 305-4840.	MG
REV	DATE	BY	DESCRIPTION	CHK

THIS PRINT, INCLUDING ALL INFORMATION SET FORTH THEREON, IS PROVIDED IN CONFIDENCE AND WITH THE UNDERSTANDING THAT NO COPIES OF THIS PRINT OR OF THE INFORMATION SHALL BE MADE WITHOUT THE PRIOR WRITTEN CONSENT OF PROCOR LIMITED. ALL RIGHTS TO DESIGN AND INVENTION ARE RESERVED.

PROCOR PROCOR LIMITED
RAIL CAR DIVISION
2001 SPEERS RD.
ORVILLE, ONTARIO
L6J 5E1

SIDE LADDER S/A
H.D. CARS

DRAWN BY: DesK DATE: 01.22.93
CHECKED BY: M. GATTO DATE: 01.25.93
APPROVED: RHB DATE: 01.25.93

SCALE: 3/4"=1'-0" DRAWING NO. 96001 REVISION A
WEIGHT: TABLED