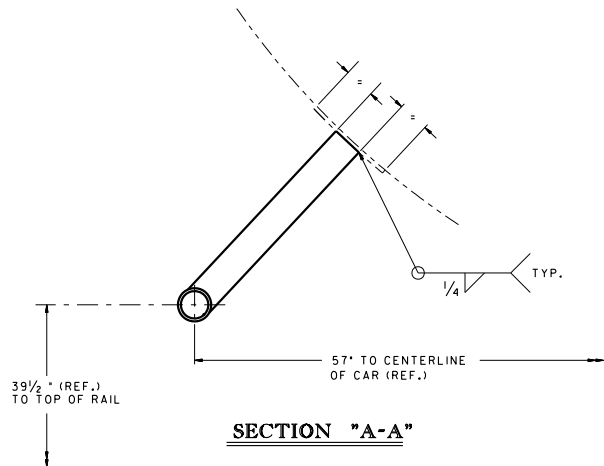
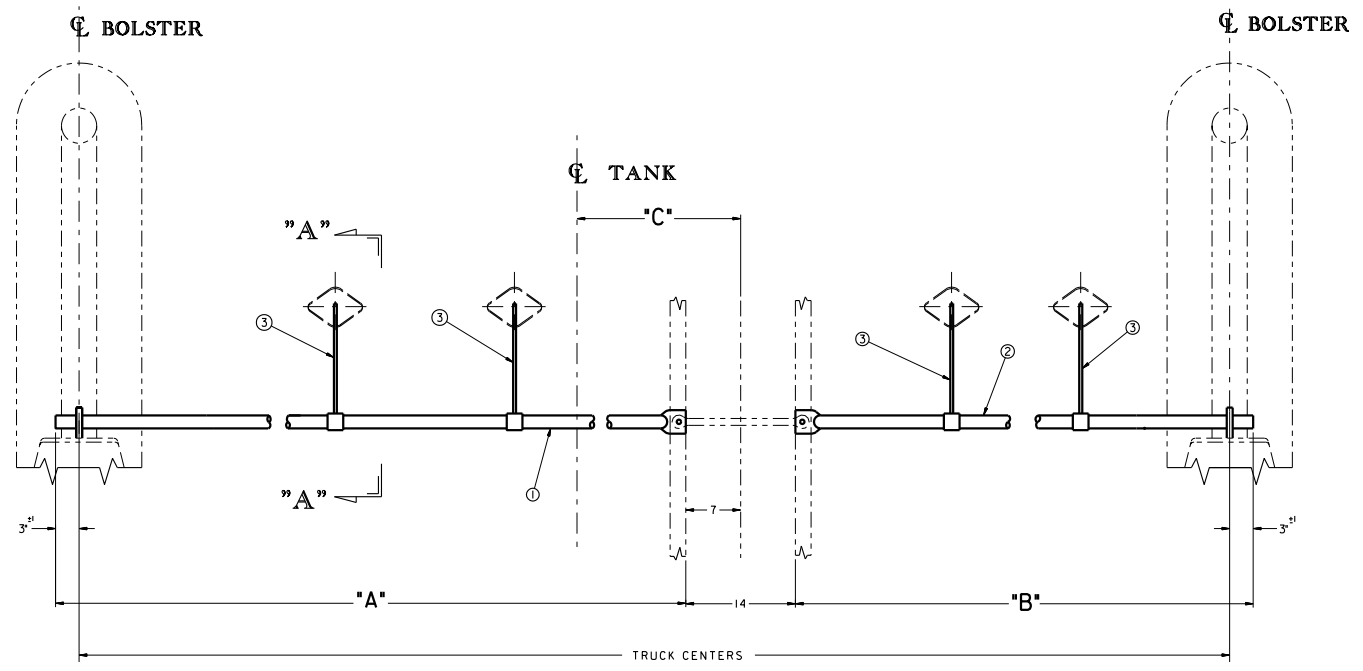


| LINE | TRUCK CENTER | SYM. | | | "A" | "B" | "C" | WT./LBS. | |
|------|--------------|----------|----------|----------|-----|-------------|-------------|----------|-------|
| | | #1 | #2 | #3 | | | | | |
| 01 | 45'-10 1/4" | I2225-65 | I2225-66 | 77207-10 | 4 | 24'-4" | 20'-11" | 20 1/2" | 131.2 |
| 02 | 52'-10" | I2225-67 | I2225-67 | 77207-10 | 4 | 26'-1" | 26'-1" | --- | 147.2 |
| 03 | 39'-9 1/2" | I2225-23 | I2225-23 | 77207-10 | 2 | 19'-6 1/2" | 19'-6 1/2" | --- | 102.6 |
| 04 | 37'-5 1/2" | I2225-69 | I2225-72 | 77207-12 | 3 | 22'-10 3/4" | 12'-6 3/4" | 62" | 100.6 |
| 05 | 37'-5 1/2" | I2225-70 | I2225-71 | 77207-12 | 3 | 18'-10 3/4" | 16'-6 3/4" | 14" | 100.6 |
| 06 | 51'-3 1/2" | I2225-68 | I2225-68 | 77207-10 | 4 | 25'-3 3/4" | 25'-3 3/4" | --- | 144.1 |
| 07 | 36'-5" | I2225-13 | I2225-13 | 77207-10 | 2 | 17'-10 1/2" | 17'-10 1/2" | --- | 95.76 |
| 08 | 35'-10 1/2" | I2225-42 | I2225-09 | 77207-12 | 2 | 19'-3 3/4" | 15'-10 3/4" | 20 1/2" | 89 |
| 09 | 36'-5" | I2225-02 | I2225-49 | 77207-10 | 2 | 19'-8" | 16'-3" | 20 1/2" | 96.6 |
| 10 | 37'-5" | I2225-57 | I2225-57 | 77207-08 | 2 | 18'-4 1/2" | 18'-4 1/2" | --- | 94.6 |
| 11 | 29'-5" | I2225-74 | I2225-74 | 77207-14 | 2 | 14'-4 1/2" | 14'-4 1/2" | --- | 76.6 |
| 12 | 36'-1 1/2" | I2225-75 | I2225-49 | 77207-12 | 2 | 19'-2 1/2" | 16'-3 3/8" | 17 3/8" | 89.5 |
| 13 | 27'-0 1/2" | I2225-62 | I2225-62 | 77207-10 | 2 | 13'-2" | 13'-2" | --- | 74.6 |
| 14 | 33'-7 1/2" | I2225-76 | I2225-76 | 77207-14 | 2 | 16'-5 3/4" | 16'-5 3/4" | --- | 86.4 |
| 15 | 34'-6" | 96057-01 | 96057-01 | 77207-14 | 2 | 16'-11" | 16'-11" | --- | 86.4 |
| 16 | 41'-10 1/2" | I2225-78 | I2225-70 | 77207-12 | 3 | 22'-3 3/4" | 18'-10 3/4" | 20 1/2" | 107.2 |
| 17 | 27'-5" | I2225-79 | I2225-79 | 77207-14 | 2 | 13'-4 1/2" | 13'-4 1/2" | --- | 72.2 |
| 18 | 20'-1 1/2" | I2225-80 | I2225-81 | 77207-14 | 1 | 10'-5 1/2" | 9'-0" | 8 3/4" | 50 |
| 19 | 47'-4 1/2" | I2225-82 | I2225-82 | 77207-10 | 4 | 23'-4 1/2" | 23'-4 1/2" | --- | 135.7 |
| 20 | 33'-0" | I2225-49 | I2225-49 | 77207-14 | 2 | 16'-2" | 16'-2" | --- | 85.4 |
| 21 | 28'-4 1/2" | I2225-83 | I2225-83 | 77207-14 | 2 | 13'-10 1/4" | 13'-10 1/4" | --- | 74.6 |
| 22 | 44'-0" | I2225-84 | I2225-82 | 77207-12 | 4 | 19'-10 1/2" | 23'-4 1/2" | 20 1/2" | 112.2 |
| 23 | 43'-4" | I2225-56 | I2225-56 | 77207-10 | 4 | 21'-2 1/2" | 21'-2 1/2" | --- | 127.2 |
| 24 | 31'-5 1/2" | I2225-85 | I2225-59 | 77207-10 | 2 | 17'-1 1/4" | 13'-8 1/2" | 20 1/2" | 84.4 |
| 25 | 34'-1" | I2225-86 | I2225-87 | 77207-10 | 2 | 15'-0" | 18'-5" | 20 1/2" | 94.25 |
| 26 | 36'-6" | I2225-66 | I2225-05 | 77207-14 | 3 | 20'-11" | 14'-10 1/2" | 36 | 90.1 |
| 27 | 38'-10" | I2225-47 | I2225-88 | 77207-12 | 4 | 17'-4 1/2" | 20'-9" | 20 1/2" | 111.4 |
| 28 | 43'-3" | I2225-90 | I2225-49 | 77207-12 | 4 | 26'-4" | 16'-3" | 60 3/4" | 126 |

| BILL OF MATERIAL | | | | |
|------------------|-----------|-----------|--------------------------|----------|
| SYM. | PART NO. | REQ. | DESCRIPTION | MATERIAL |
| 1 | SEE TABLE | 1 | SAFETY RAIL | A53-F |
| 2 | SEE TABLE | 1 | SAFETY RAIL | A53-F |
| 3 | SEE TABLE | SEE TABLE | SUPPORT, SAFETY RAIL 5/4 | STEEL |



| DEFAULT TOLERANCES - DETAIL DRAWING | |
|---|------------------------------|
| ALL DIMENSIONS UNLESS OTHERWISE SPECIFIED | FRACTION DIMENSIONS: ± 1/16" |
| | ANGULAR DIMENSIONS: ± 1° |

| REV | DATE | BY | DESCRIPTION | CHKD |
|-----|----------|------|--|------|
| D | 01.24.96 | MC | LINE #27 SYM. #3 REQ. WAS 3. | MC |
| C | 06.20.95 | PG | LINE 03 "A" DIM WAS 19'-5 1/2" LINE 03 "B" DIM WAS 19'-5 1/2" | PT |
| B | 05.12.93 | DESK | LINE 05 SYM. #1 AND 2, PART NO. WAS I2225-71. | MC |
| A | 09.03.92 | DESK | LINE 04 "A" DIM WAS 23'-8 1/2". "B" DIM WAS 13'-2 1/2". LINE 05 "A" DIM WAS 19'-6 1/2". "B" DIM WAS 17'-2 1/2". LINE 04, SYM. #2, PART # WAS I2225-62. | MC |

PROCOR

PROF. J. W. HARRIS
MGR. CAR GROUP

280 SPRING ST.
ANN ARBOR, MI 48106
481-761-1000

SIDE SAFETY RAIL ASSEMBLY "HD" CARS

DATE: MARCH 12 1992
CHECKED BY: J. HARRIS
DATE: MARCH 16 1992
APPROVED BY: P. JOHNSON
DATE: MARCH 16 1992

SCALE: N.T.S.
WEIGHT: TABLED

94648

D