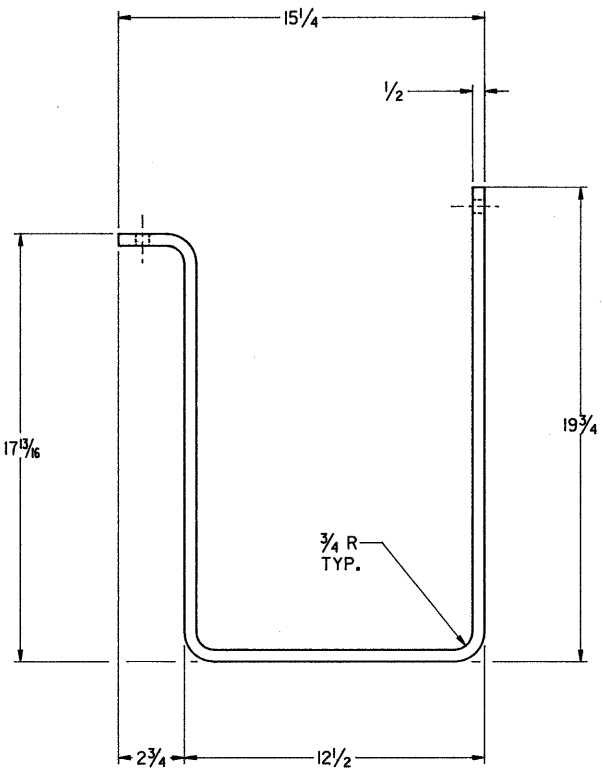


DEVELOPMENT

NOTE :
BREAK ALL SHARP CORNERS.

MATERIAL:
1/2 x 2 x 50 1/2 LG.
ASTM A-36



DEFAULT TOLERANCES — DETAIL DRAWING	
ALL DIMENSIONS ARE INCHES UNLESS OTHERWISE NOTED	
FRACTIONAL DIMENSIONS: ± 1/16	
ANGULAR DIMENSIONS: ± 1°	

M	REV	DATE	BY	DESCRIPTION	CHK	SCALE: 3" = 1'-0"	DRAWING NO.	REVISION
						WEIGHT: 14.3#	103440	-

PROCOR
PROCOR LIMITED
RAIL CAR DIVISION
2001 SPEERS RD.
DARVELLE, ONTARIO
L4J 3E1

**SILL STEP
(STANDARD)**

DRAWN BY: Desk DATE: 04.01.93
CHECKED BY: [Signature] DATE: 04.02.93
APPROVED: [Signature] DATE: 04.27.93