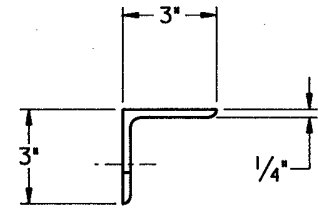
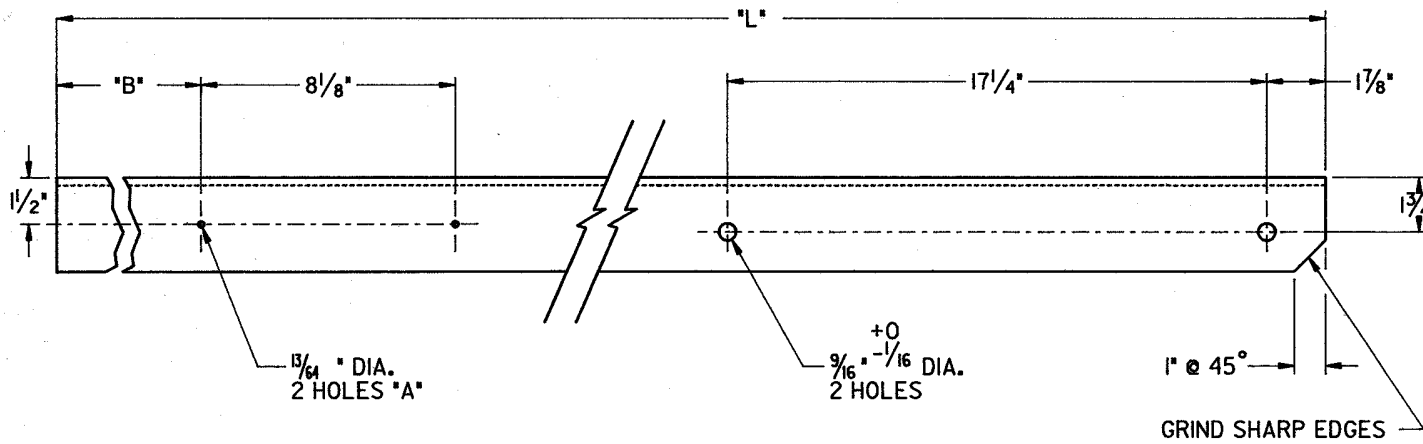


LINE	"L"	"B"	HOLES "A"	REMARKS	WT.(LBS.)
01	67"	3/4"	WITH	AS SHOWN	27.4
02	67"	3/4"	WITHOUT	OPPOSITE	27.4
03	75 1/4"	3/4"	WITH	AS SHOWN	30.7
04	75 1/4"	3/4"	WITHOUT	OPPOSITE	30.7
05	87"	20 3/4"	WITH	AS SHOWN	35.5
06	95 1/4"	20 3/4"	WITH	AS SHOWN	38.8



MATERIAL:
 ANGLE, 3" x 3" x 1/4" x "L" LG.
 STEEL, ASTM A36

PROCOR
 PROCOR LIMITED
 RAIL CAR DIVISION
 2001 SPEERS RD.
 OAKVILLE, ONTARIO
 L6J 5E1

SIDE ANGLE AT
 END FRAME

DRAWN BY: DesK DATE: 11.30.92
 CHECKED BY: M. GATTO DATE: 12.01.92
 APPROVED: R. H. B. DATE: 12.14.92

SCALE: N.T.S. DRAWING NO. 103373 REVISION A

WEIGHT: TABLED

DEFAULT TOLERANCES — DETAIL DRAWING
ALL DIMENSIONS ARE INCHES UNLESS OTHERWISE NOTED
FRACTIONAL DIMENSIONS: ± 1/16
ANGULAR DIMENSIONS: ± 1°

M	A	03.03.93	MG	DIM "B" TABLED. LINE 05 ADDED.
REV	DATE	BY	DESCRIPTION	

THIS DRAWING IS THE SOLE PROPERTY OF PROCOR LIMITED
 IT IS NOT TO BE REPRODUCED OR COPIED OR DISSEMINATED TO OTHERS