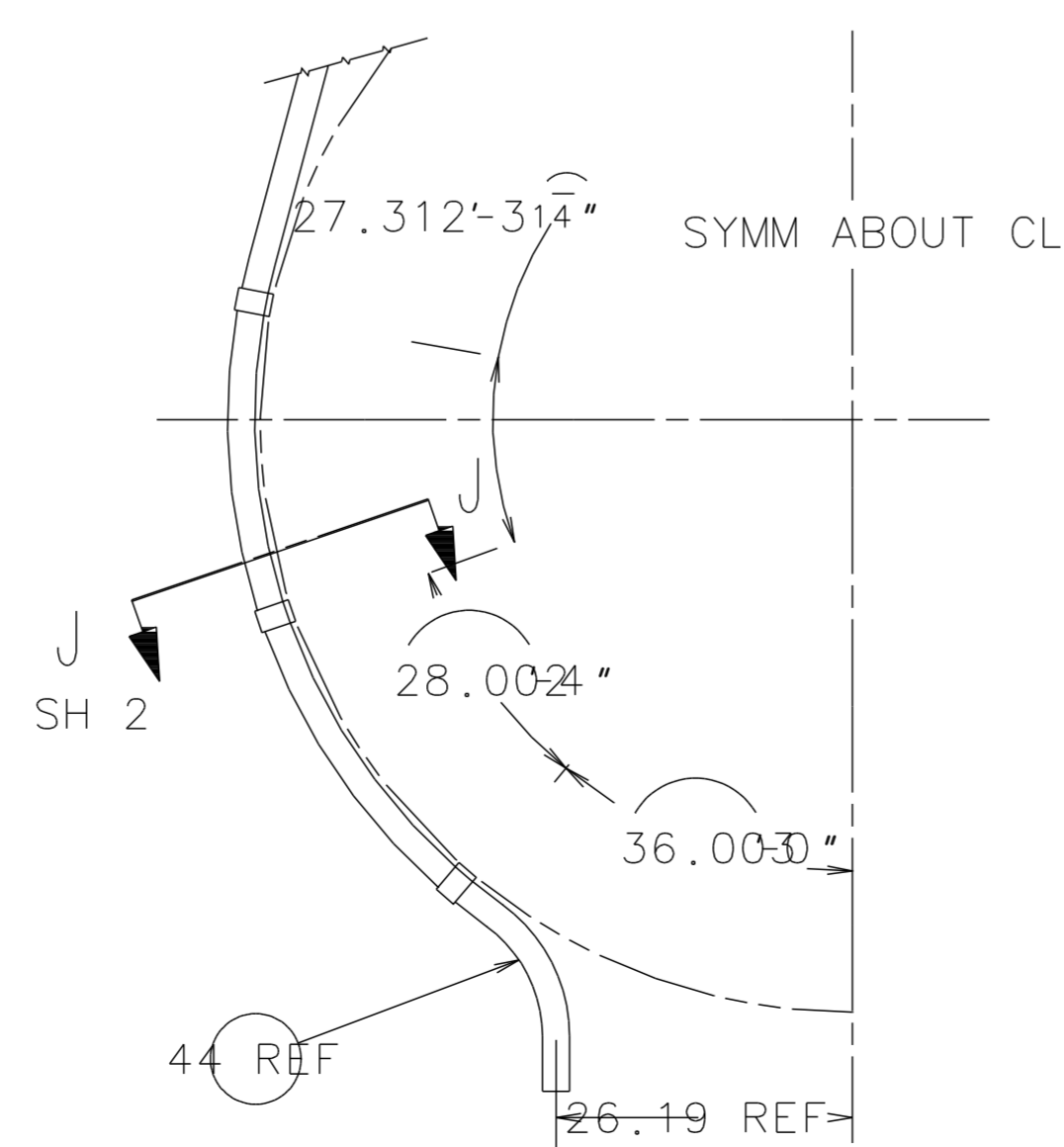
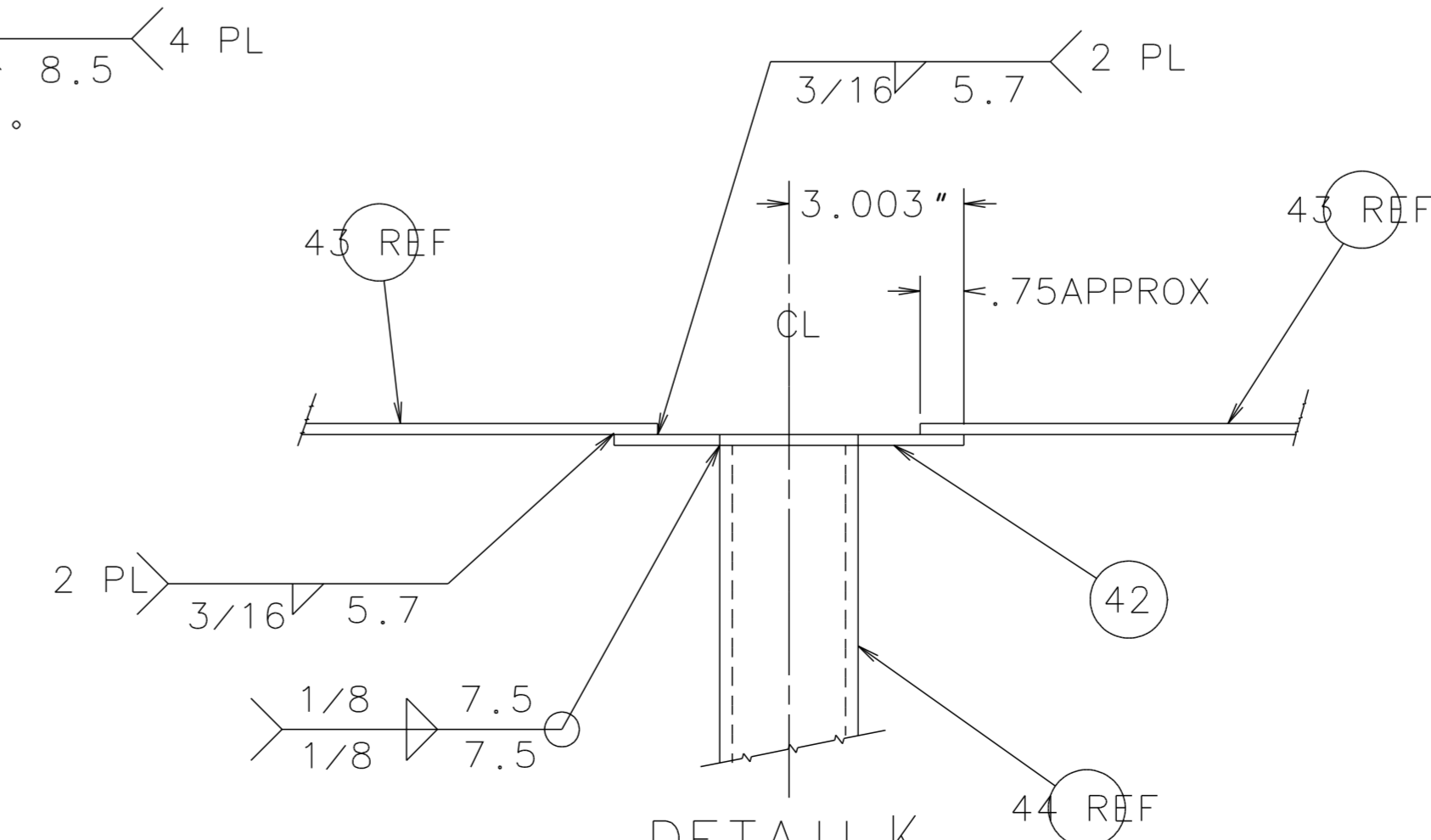


SECTION J-J
SCALE: 3/8



SECTION H-H



DETAIL K
SCALE: 3/8
2 PL