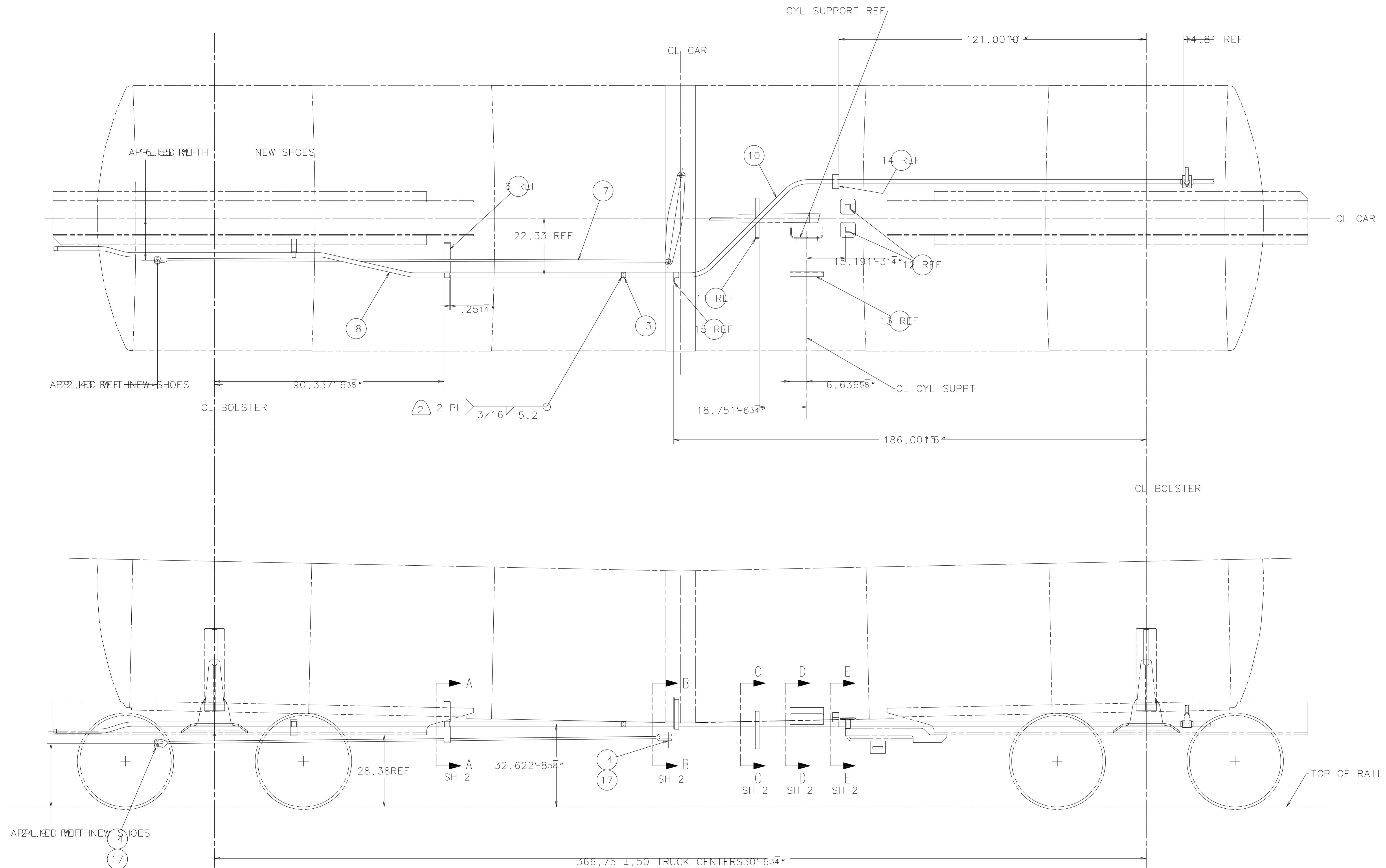
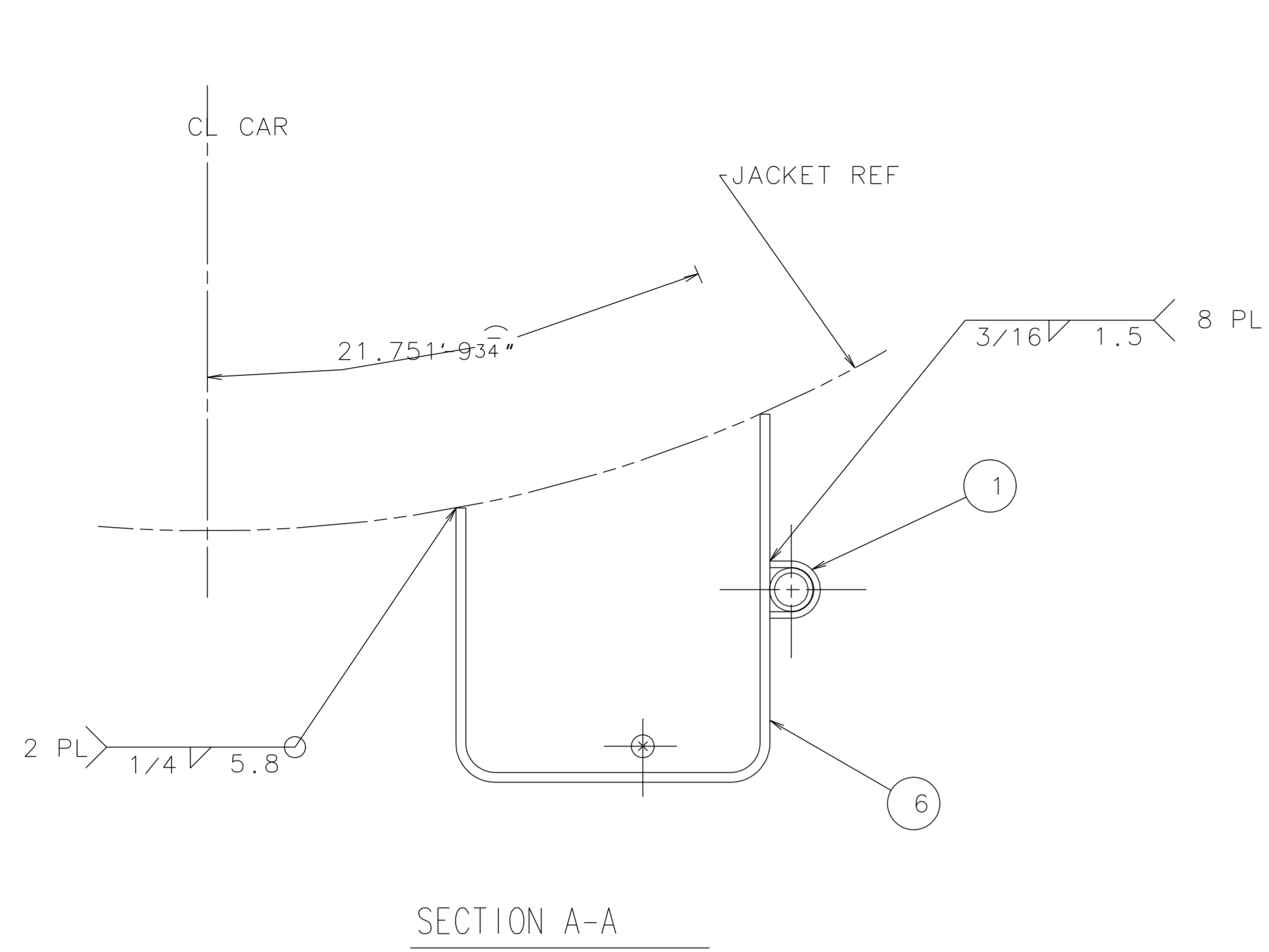


NOTES:

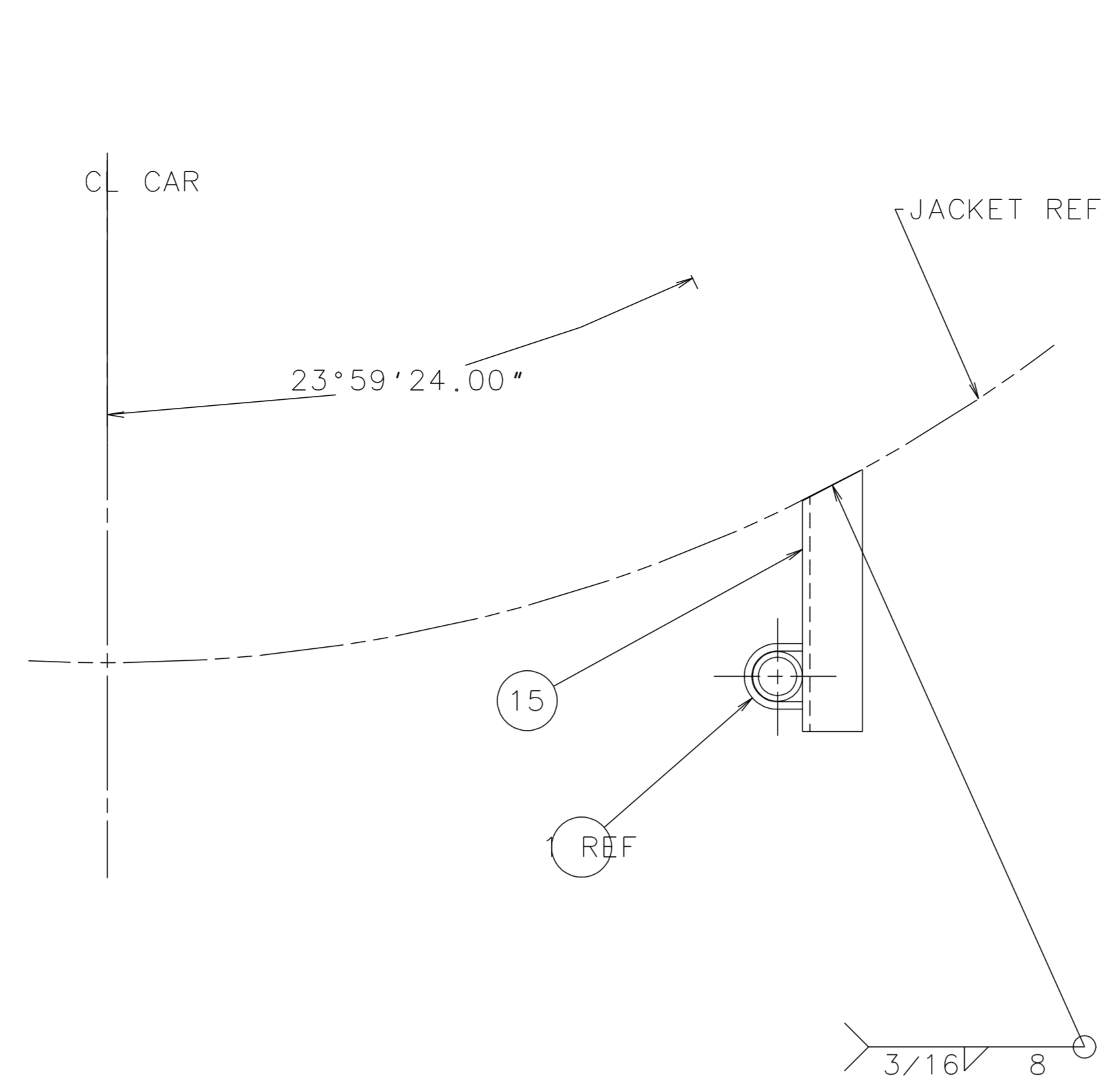
1. MAX PIPE MISALIGNMENT PER AAR SPEC 2518 IS:
 PIPE UNDER 24.00 LONG - .25;
 PIPE 24.00 LONG AND OVER - .50.
2. ALL PIPE SOCKET WELD JOINTS PER SWP 6304 UNLESS OTHERWISE SPECIFIED.
3. ALL WELDS TO JACKET TO BE PER SWP 6293.
4. STEEL STAMP DIAGRAM PLATE, ITEM NO. 5 WITH LEVER SIZES PER BRAKE DIAGRAM. SEE "BRAKE ARRANGEMENT-END" DRAWING FOR LOT.
5. ITEM 16 TO BE GRADE "B" PLAIN INSERT TYPE LOCKNUTS PER AAR M-922 (SPEC 1F1-100).
6. MIN BEND RADIUS FOR 1 1/4 PIPE = 12.00, EXCEPT AS NOTED.

3	1A983600	1-A-9836-00	CLAMP-PIPE, 1 1/4	1
1	1A983700	1-A-9837-00	CLAMP-PIPE, 3/4	2
1	90012887		1 1/4 SOCKET WELDED COUPLING	3
2	3E442504	3-E-4425-04	PIN-1 3/32 DIA	4
1	3K086800	3-K-0868-00	PLATE-BRAKE DIAGRAM	5
1	3K088466	3-K-0884-66	SPRT-TRAINLINE AND BRAKE ROD	6
1	4K287684	4-K-2876-84	ROD ASSY-TOP	7
1	3U780500	3-U-7805-00	PIPE-1 1/4 BRAKE	8
2	90018923		SCREW-CAP, 3/8-16UNC-2A X 1 L SLOTTED RDH, SST TYPE 304	9
1	2U763700	2-U-7637-00	PIPE-1 1/4 BRAKE	10
1	3U108804	3-U-1088-04	HANGER-SAFETY, SLACK ADJUSTER	11
2	3U763302	3-U-7633-02	BRACKET-BRAKE	12
1	2U109700	2-U-1097-00	SUPPORT-BRAKE DIAGRAM PLATE	13
1	2U780800	2-U-7808-00	SUPPORT-BRAKE PIPE	14
1	3U763501	3-U-7635-01	BRACKET-BRAKE	15
2	90002420		NUT-LOCK 3/8-16UNC	5 16
2	90007010		PIN-COTTER, 3/8 X 2 1/2, SPRING EXT PRONG, SQ CUT, STL	17

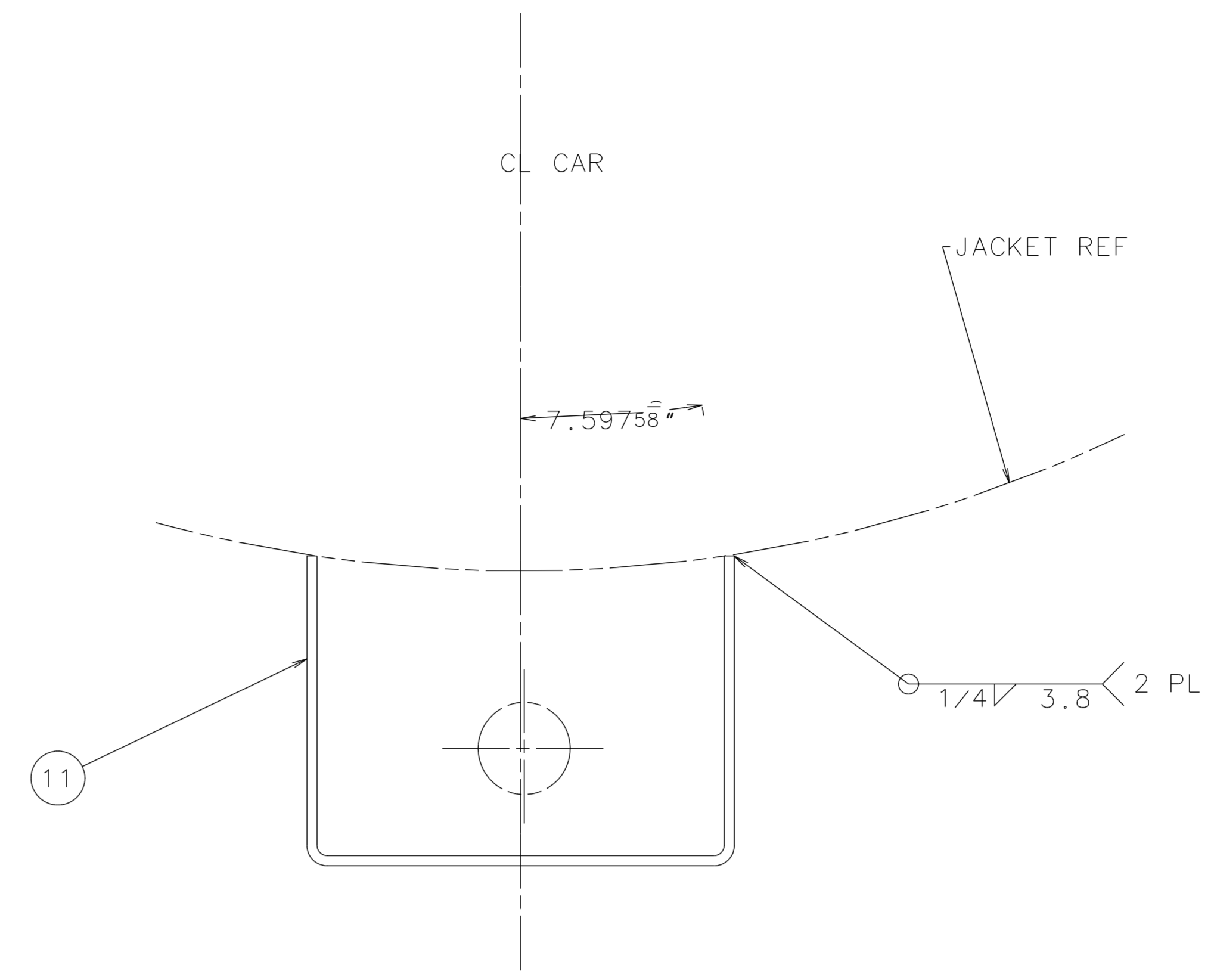




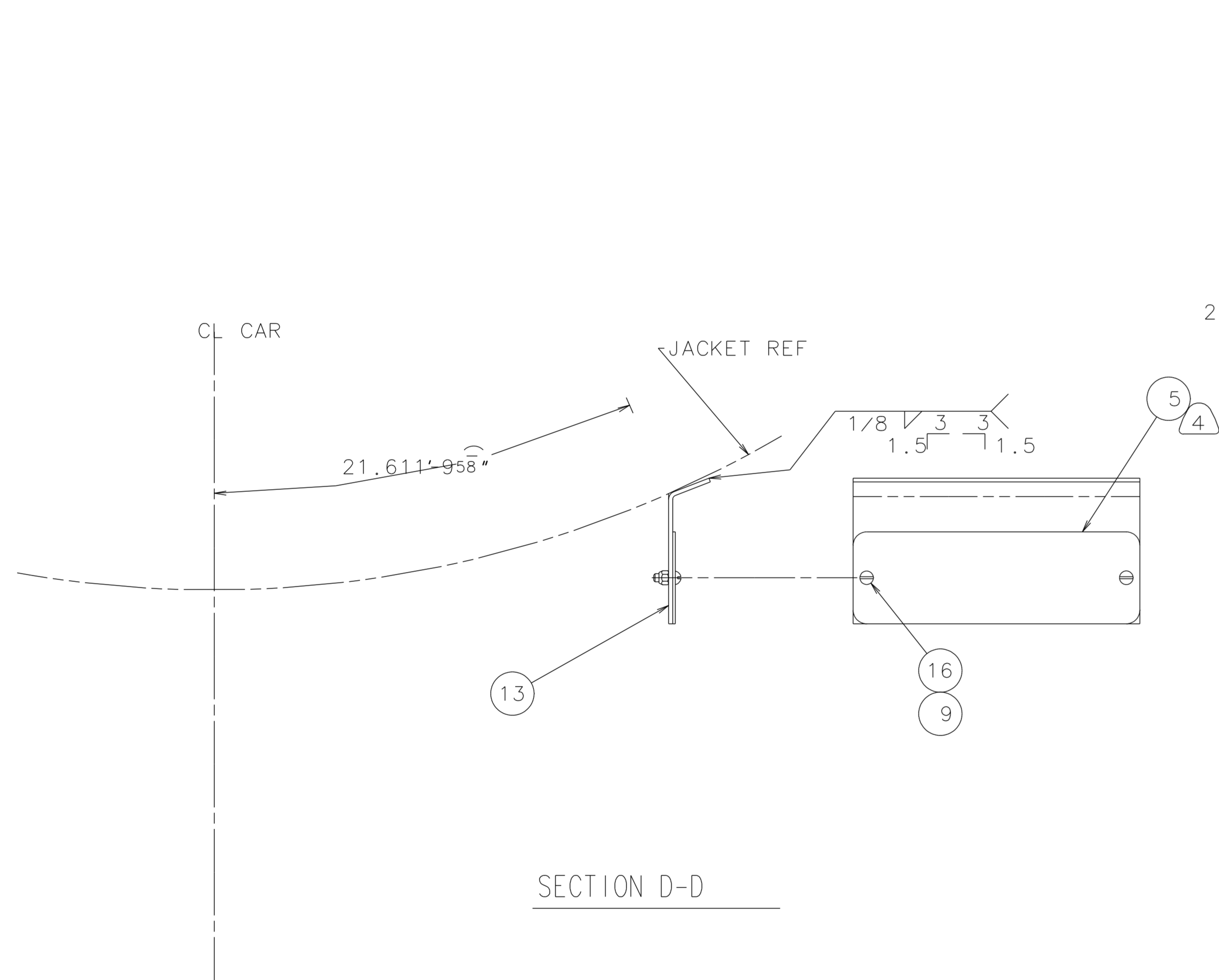
SECTION A-A



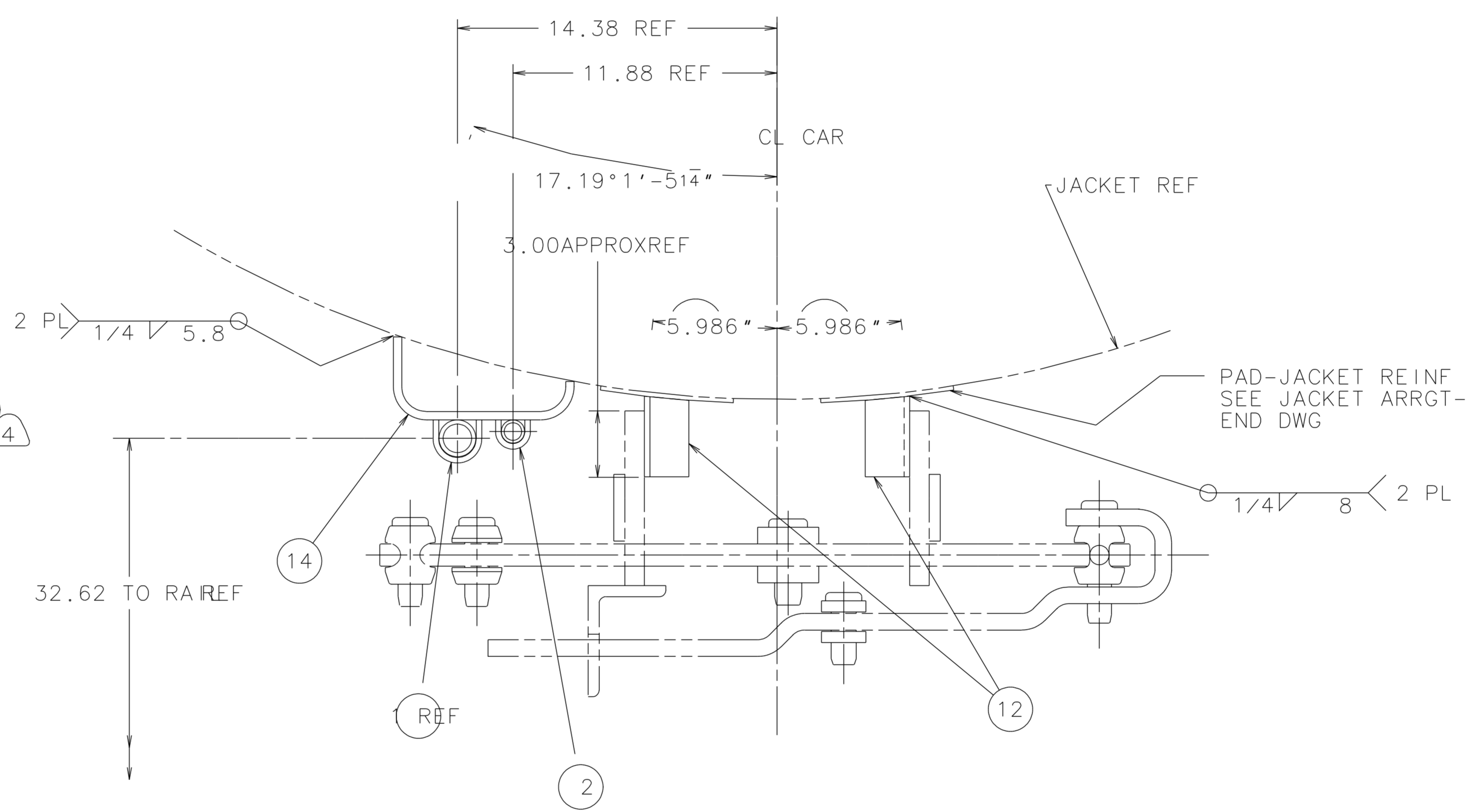
SECTION B-B



SECTION C-C



SECTION D-D



SECTION E-E