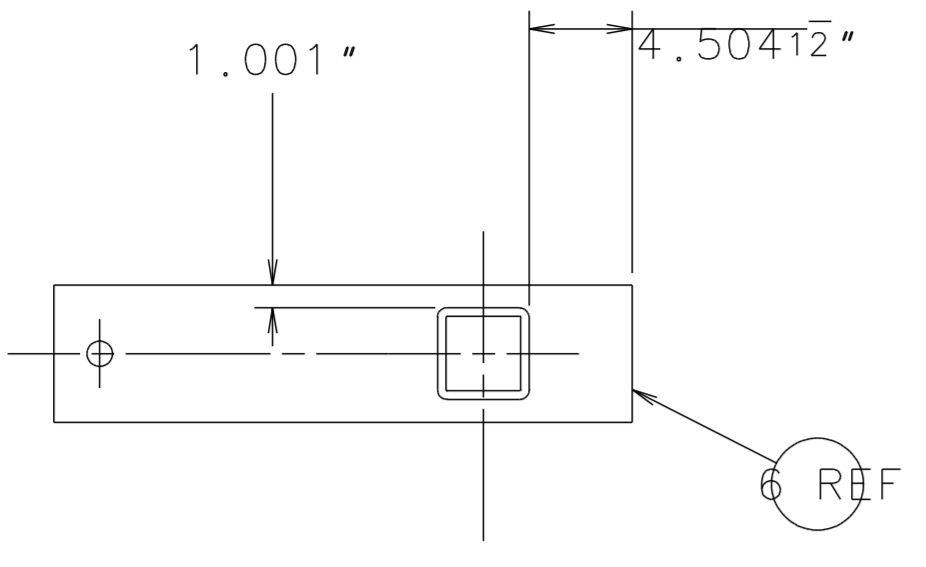
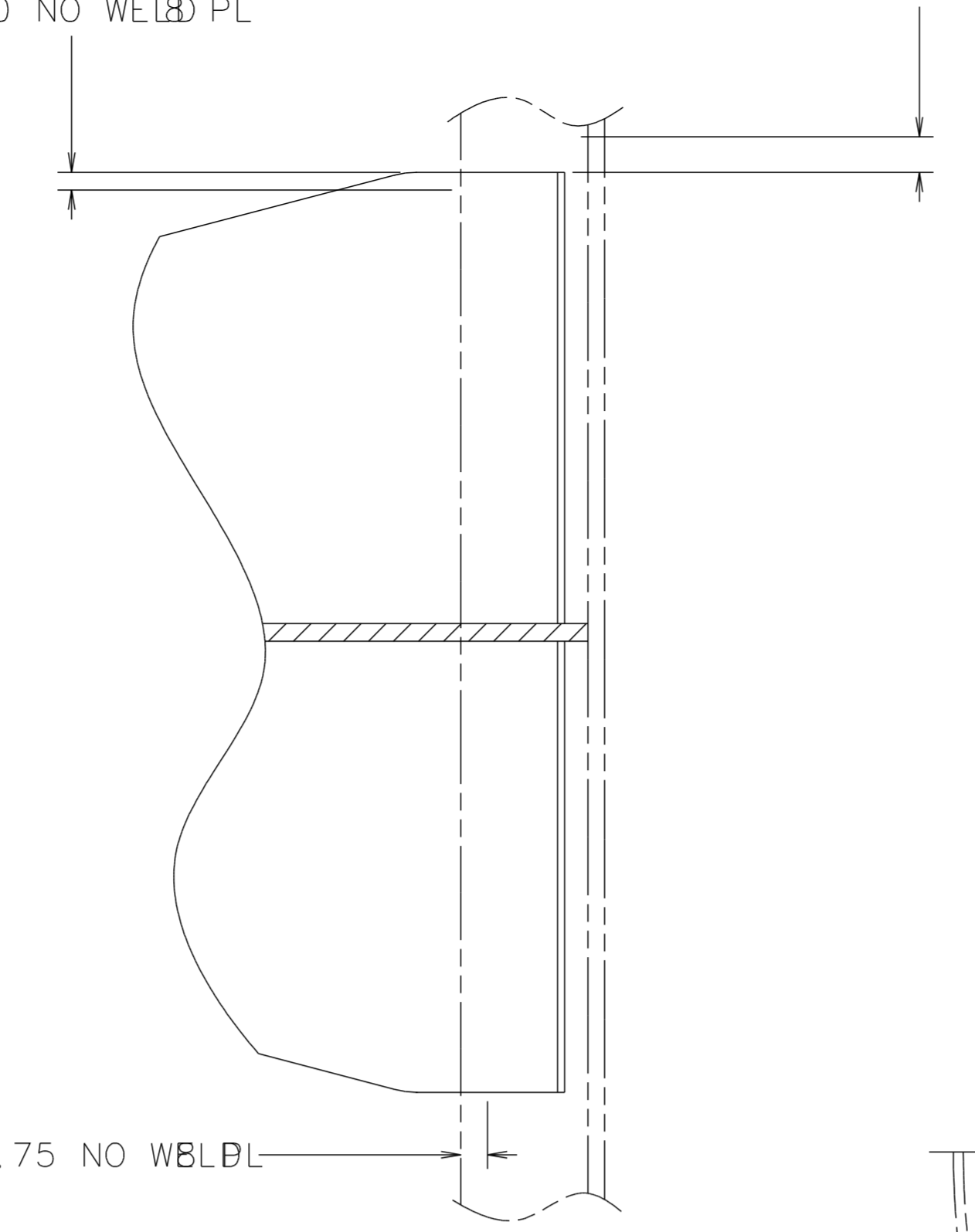


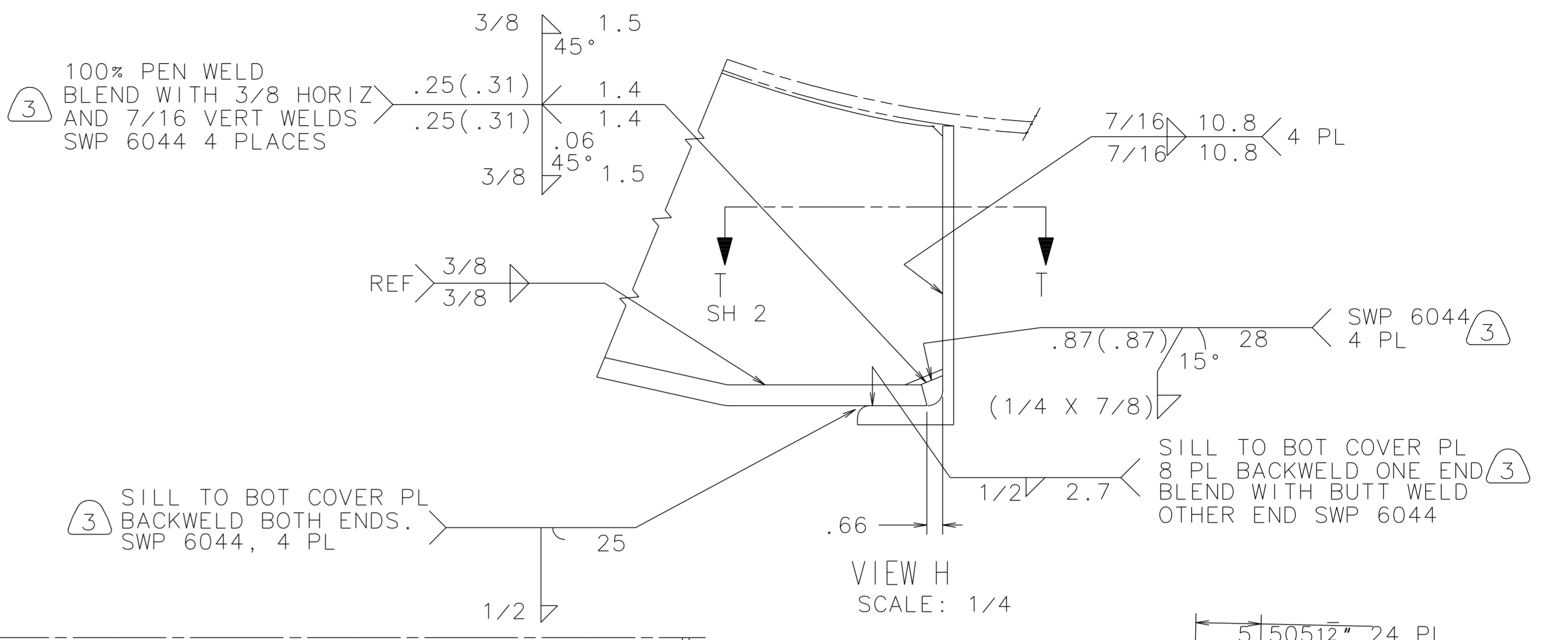
.50 NO WELD PL WELD TO EXTEND 100% BEYOND COVER PLATE 8 PL



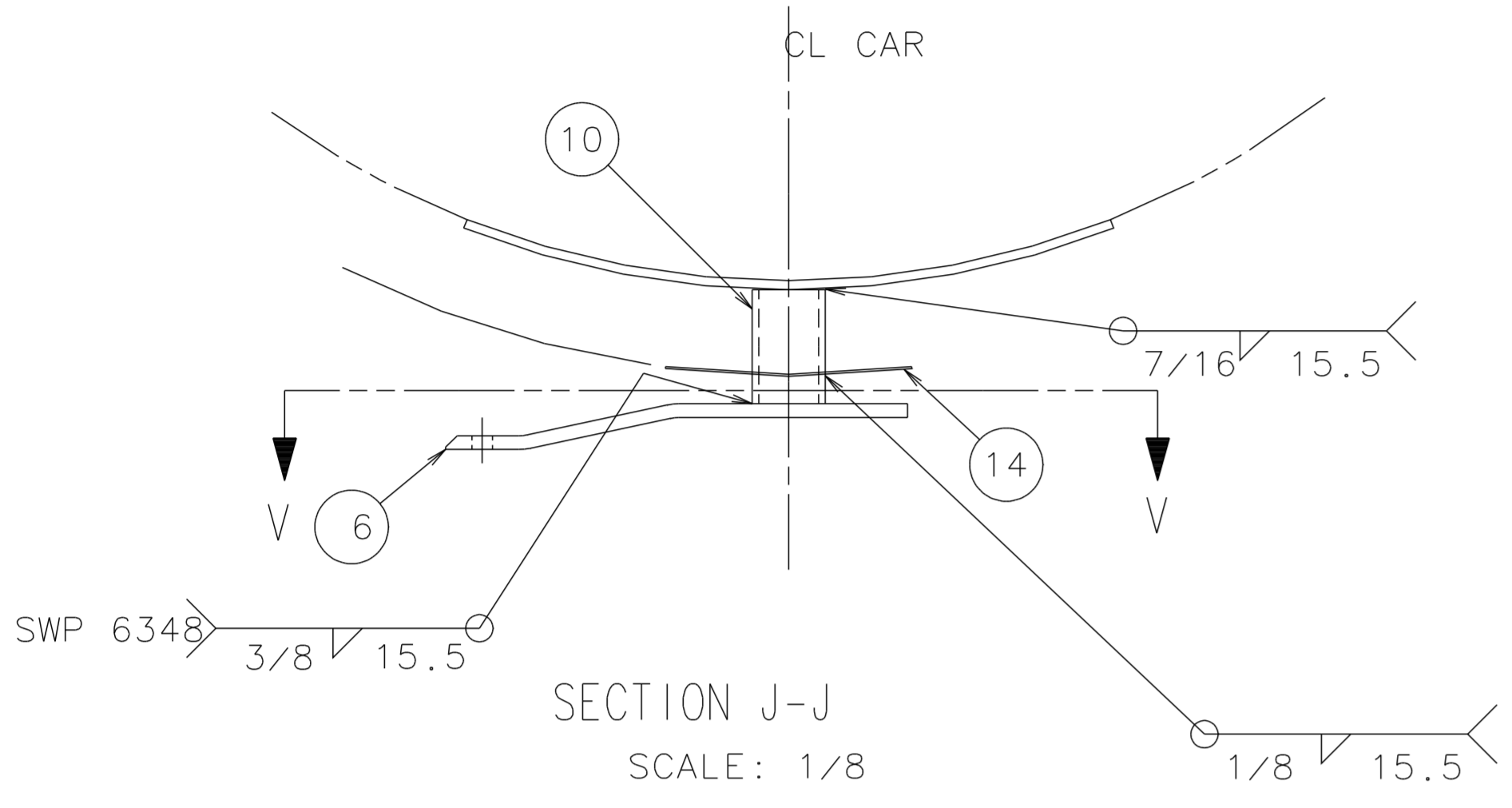
SECTION V-V
SCALE: 1/8



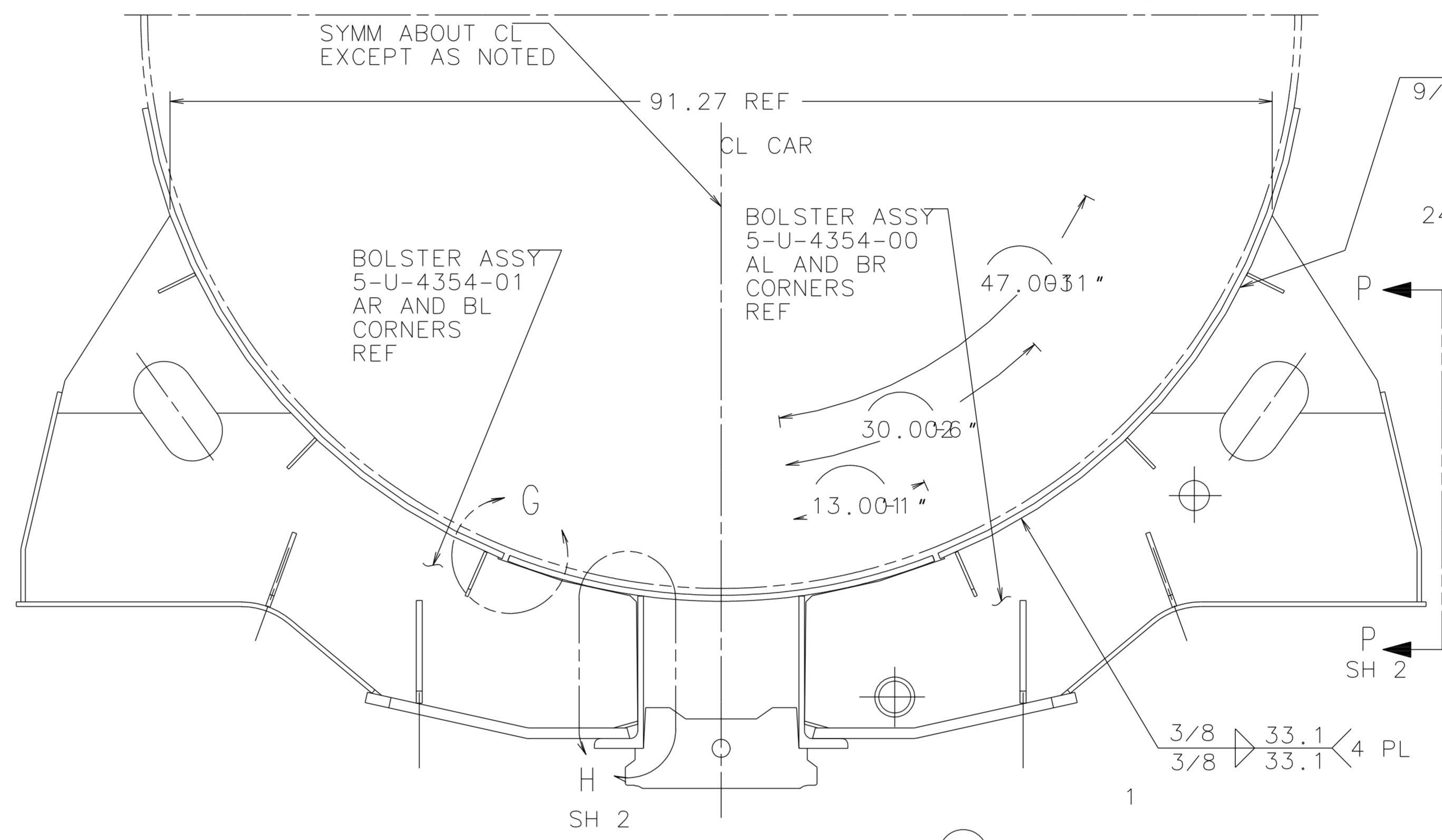
SECTION T-T
SCALE: 1/4



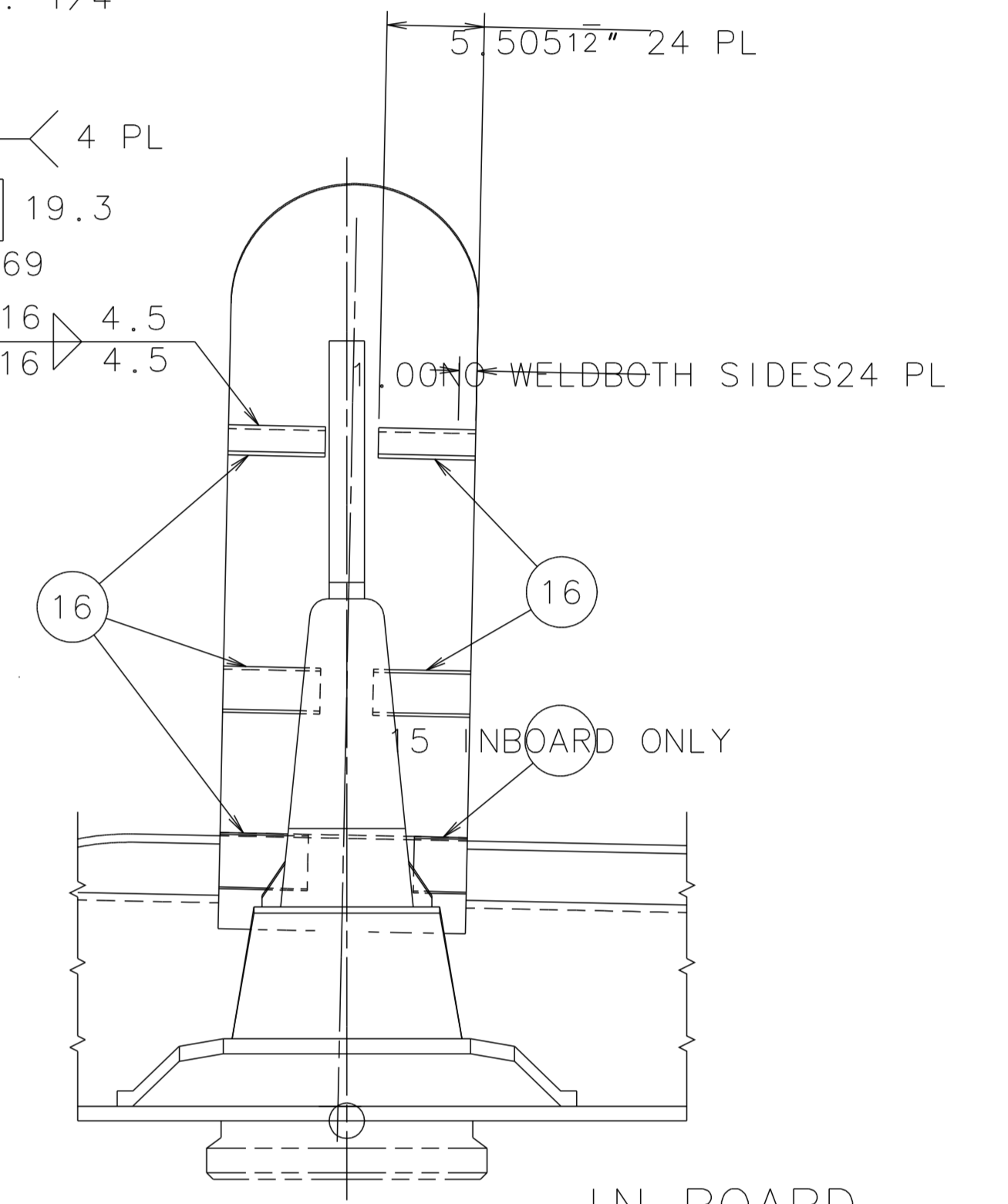
VIEW H
SCALE: 1/4



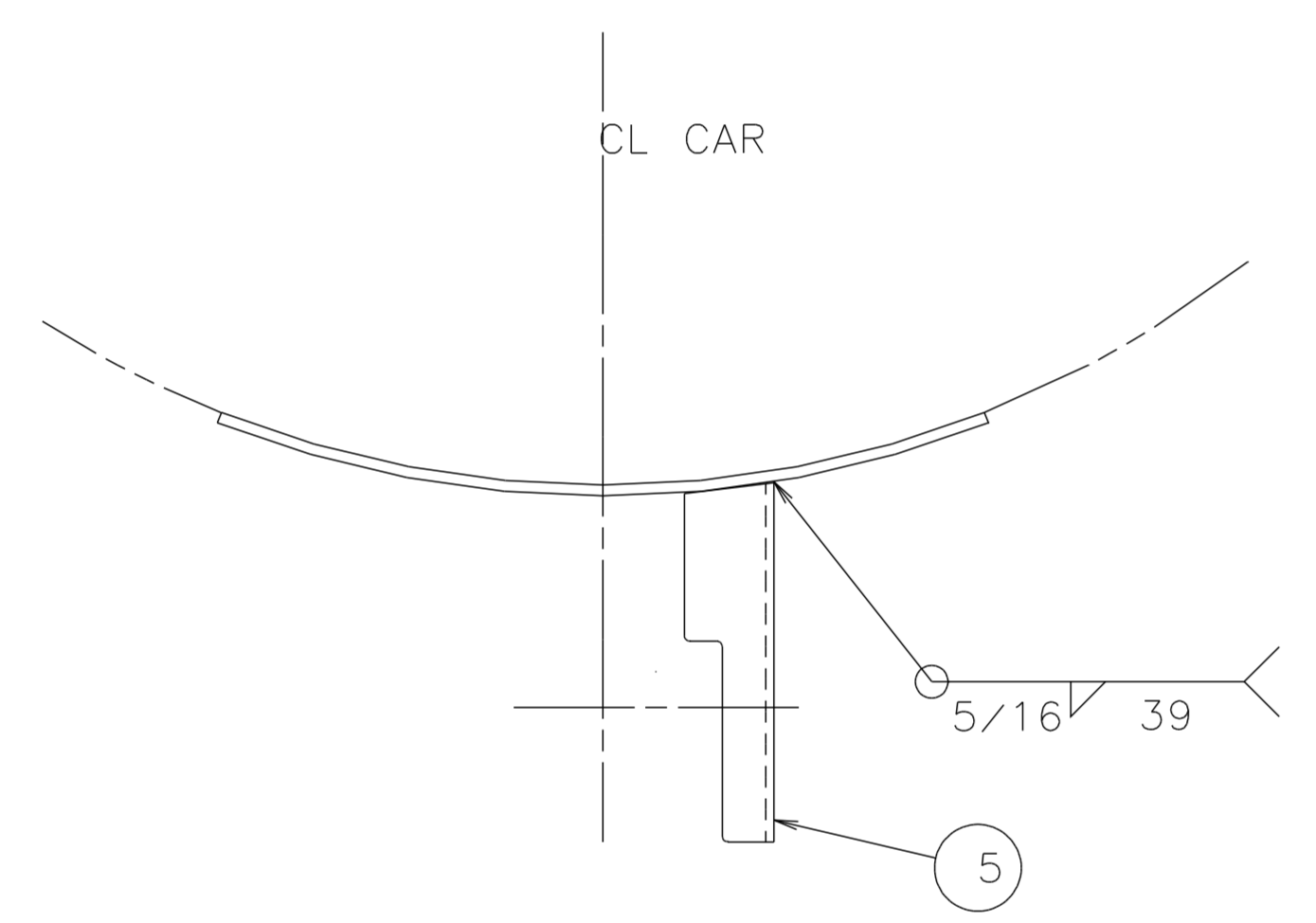
SECTION J-J
SCALE: 1/8



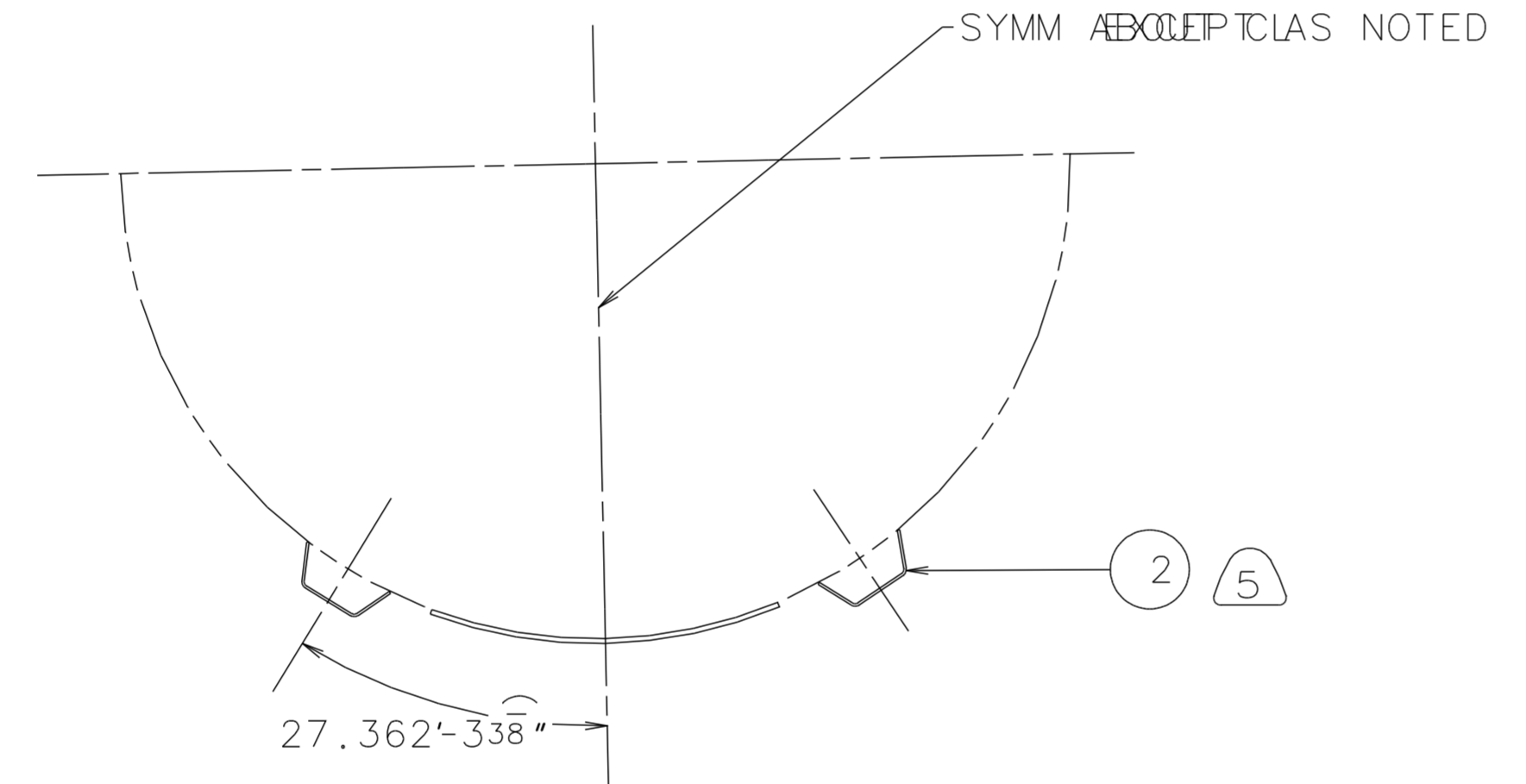
SECTION F-F
SCALE: 1/8



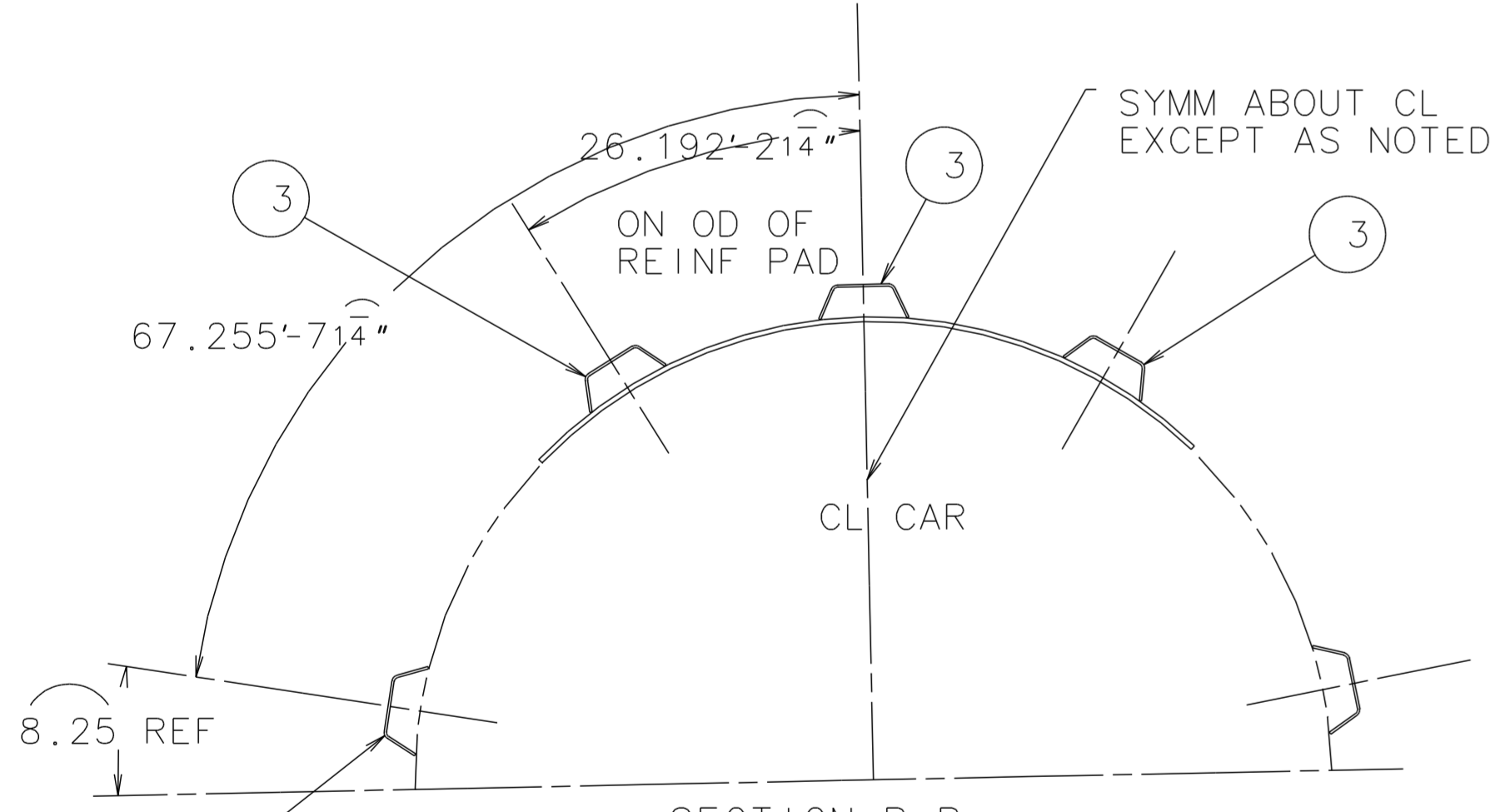
VIEW P-P
SCALE: 1/8



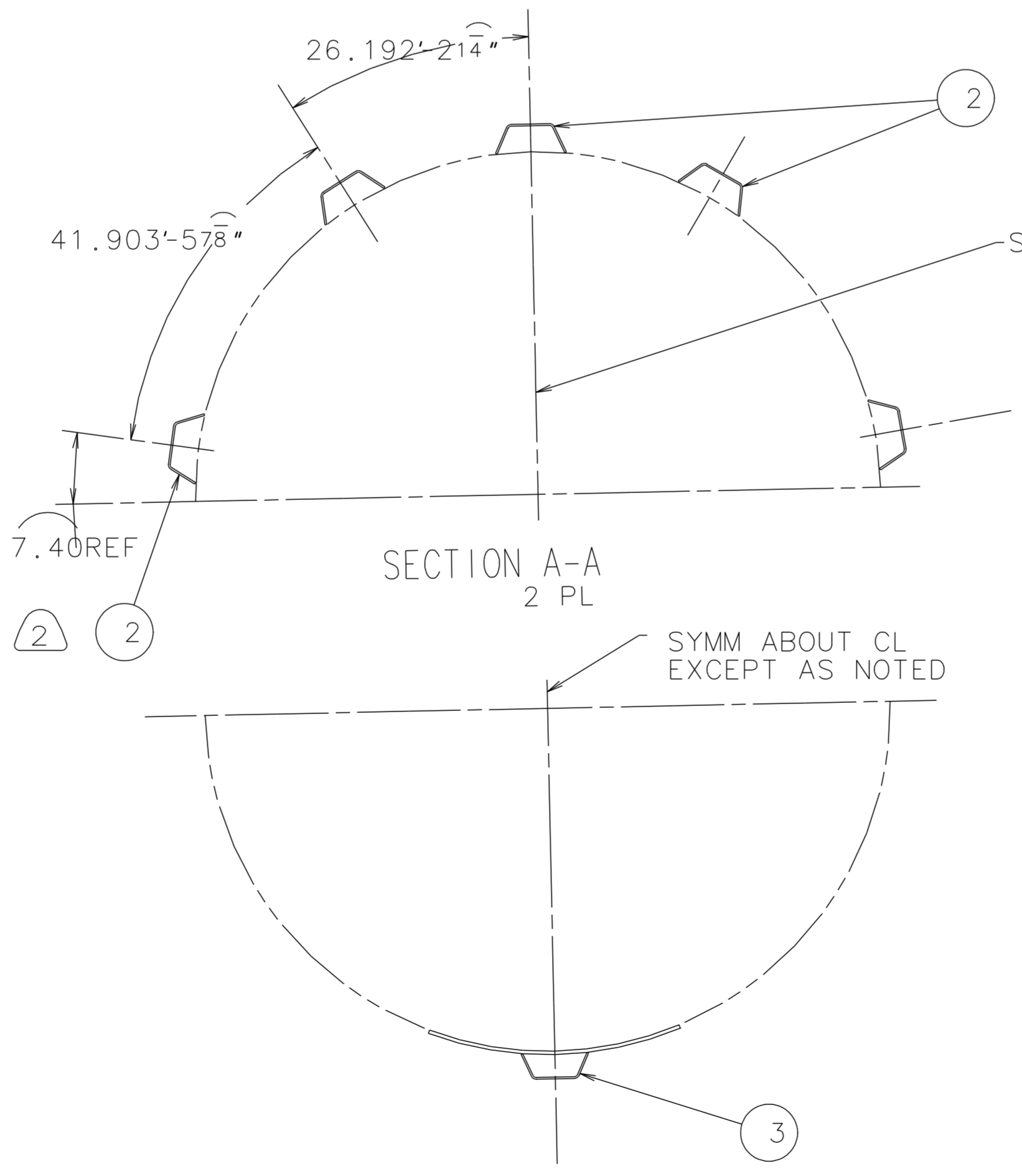
SECTION E-E
SCALE: 1/8



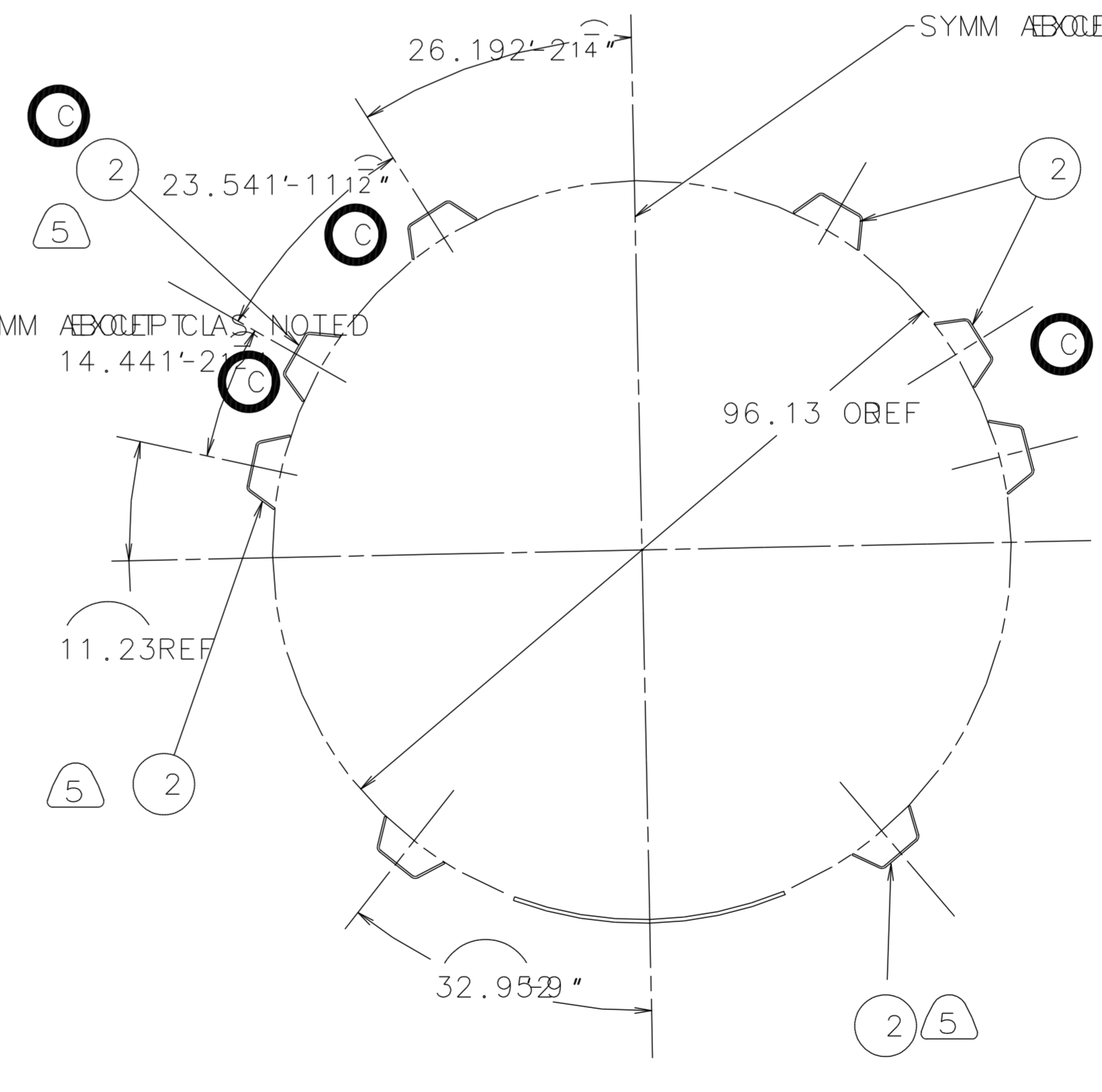
SECTION D-D
6 PL



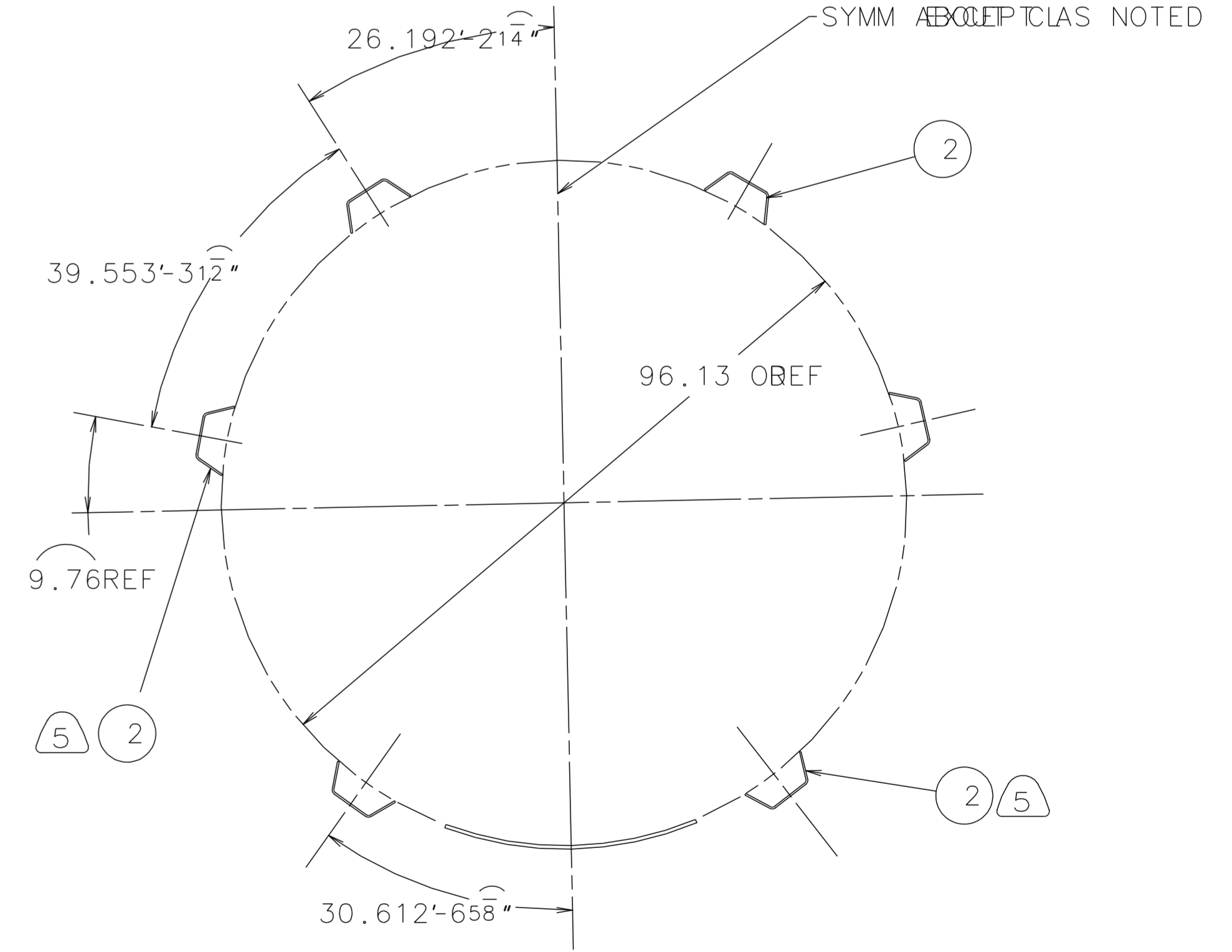
SECTION B-B
2 PL



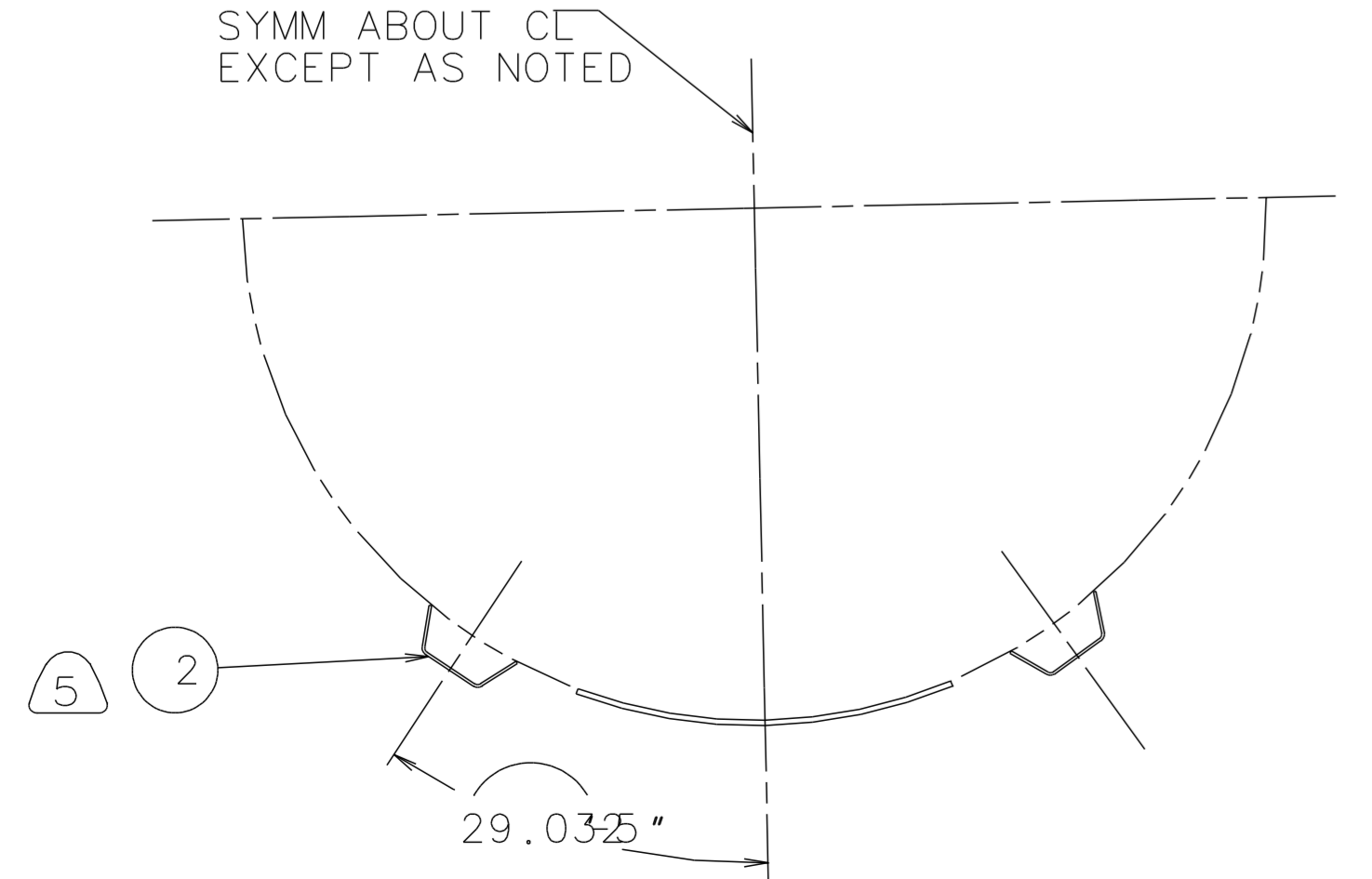
SECTION A-A
2 PL



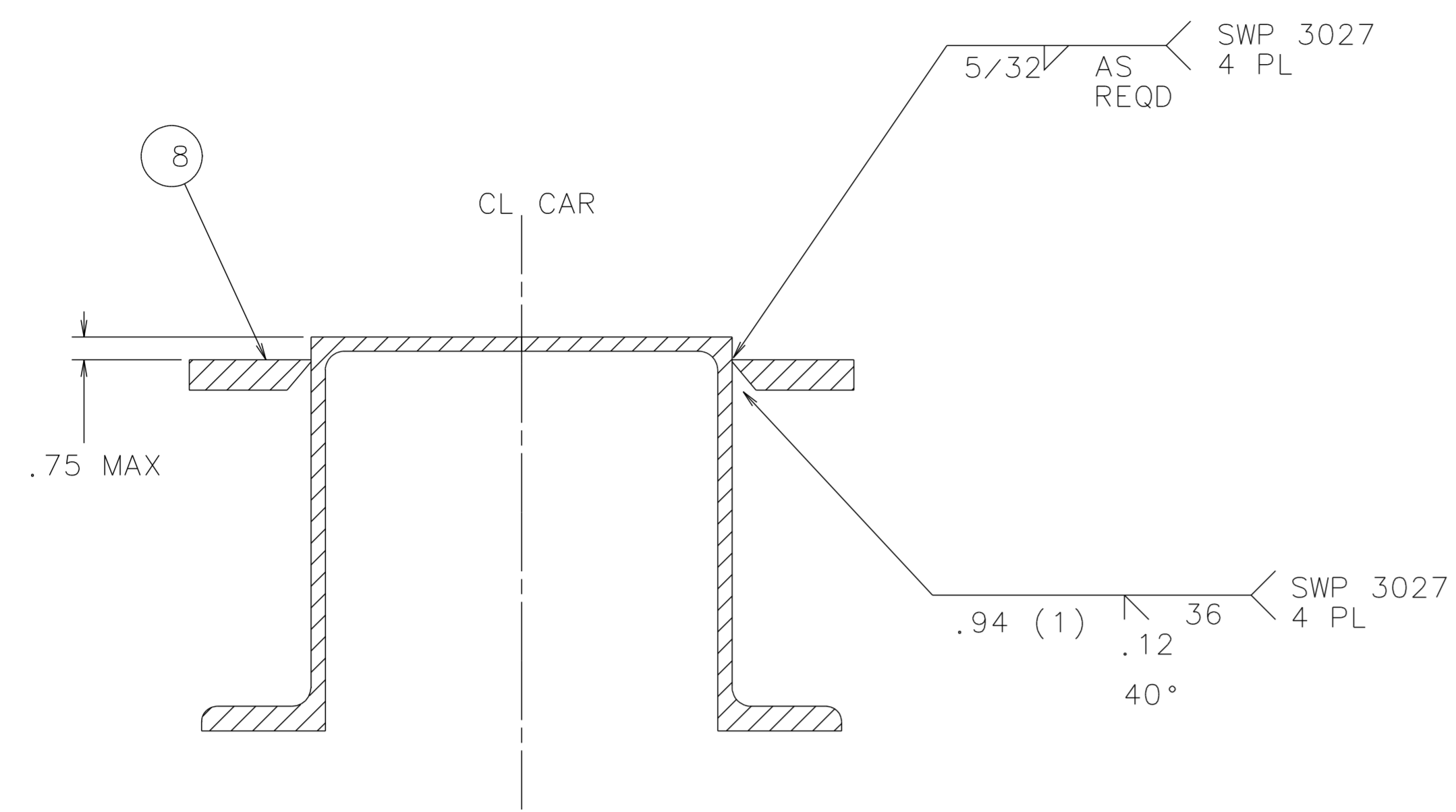
SECTION C-C
2 PL



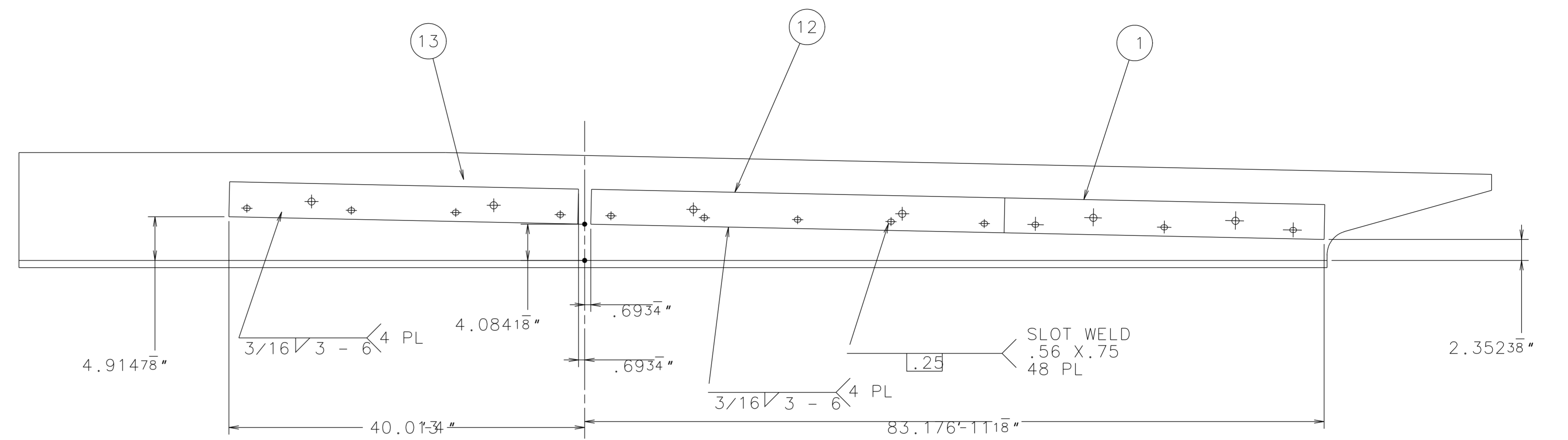
SECTION L-L



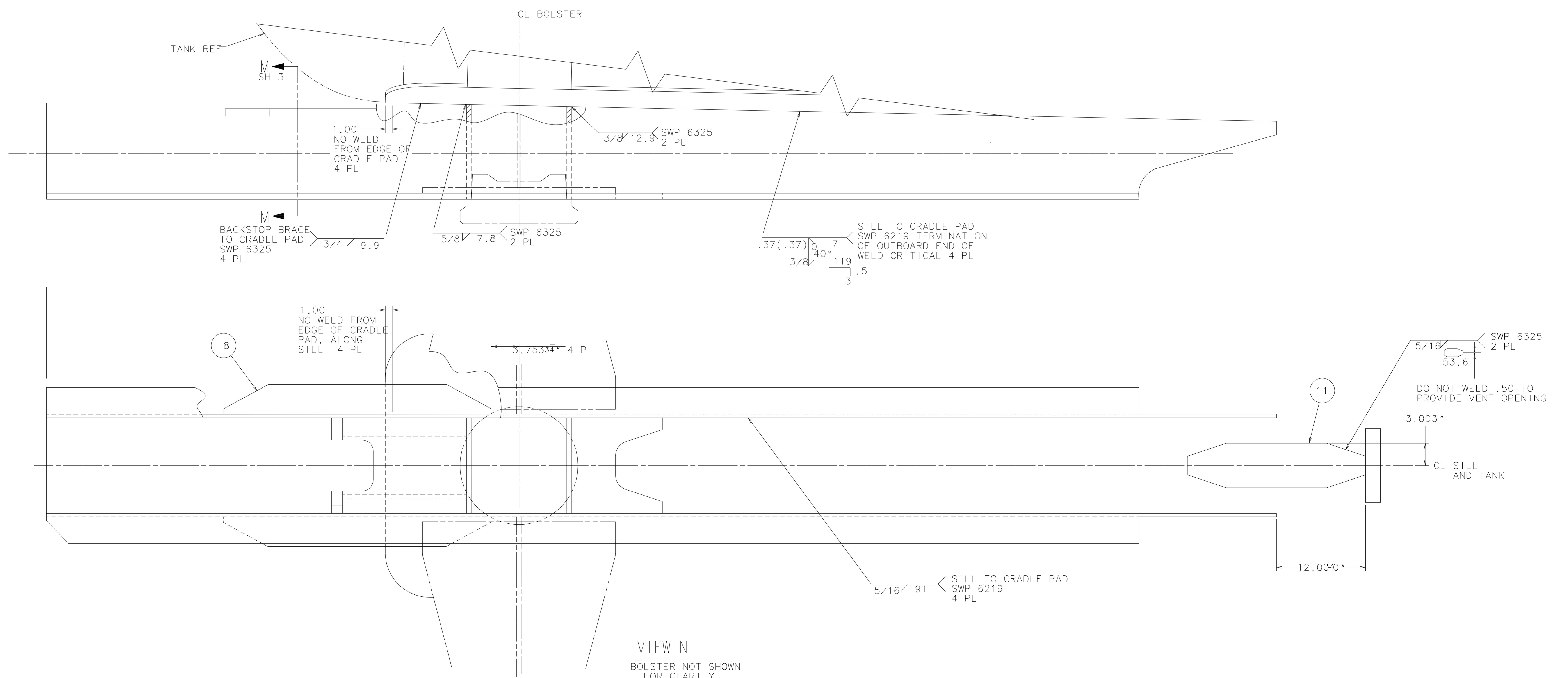
SECTION U-U



SECTION M-M
SCALE: 1/4



VIEW S
SCALE: 1/8



VIEW N
BOLSTER NOT SHOWN
FOR CLARITY