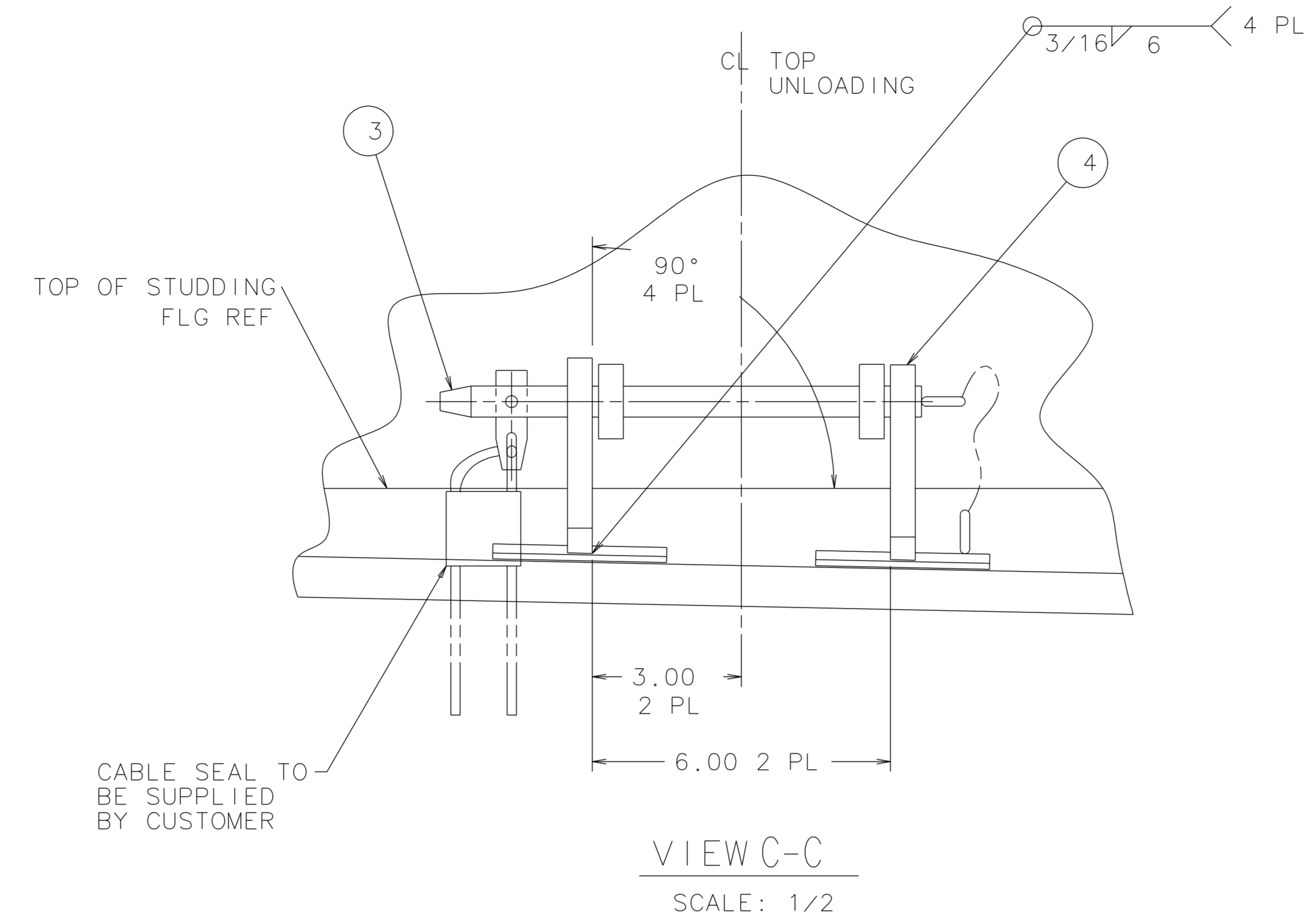
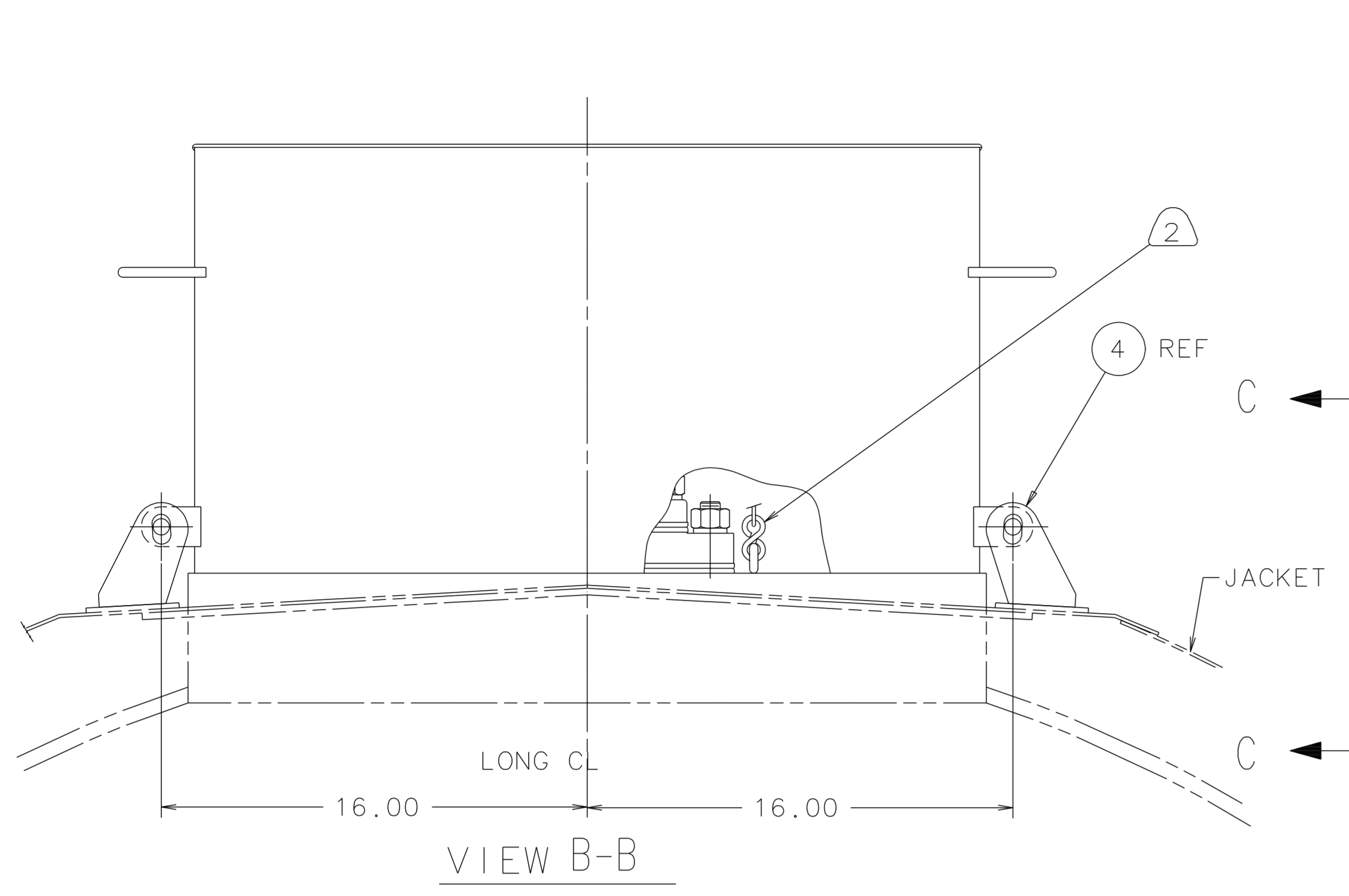
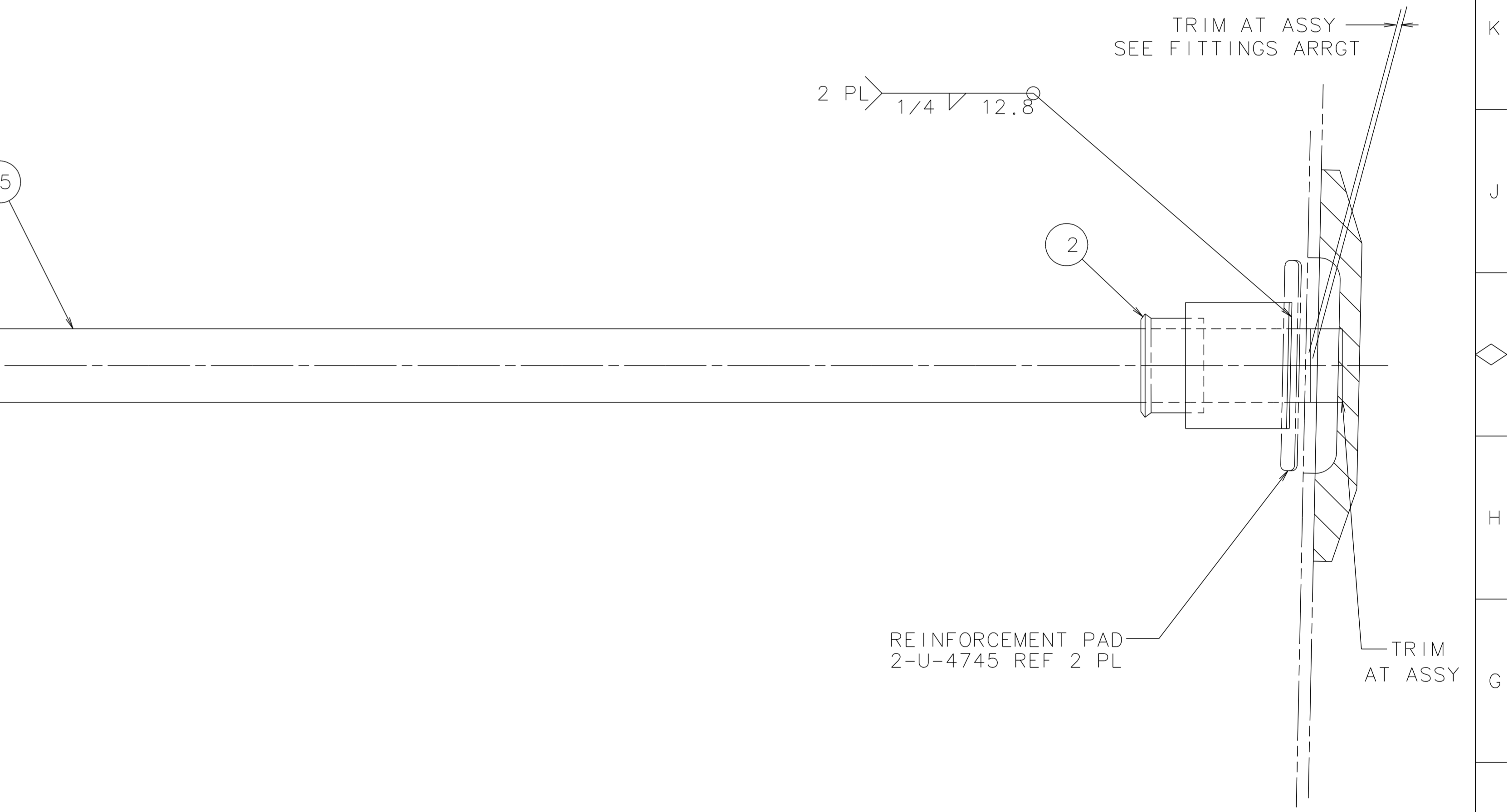
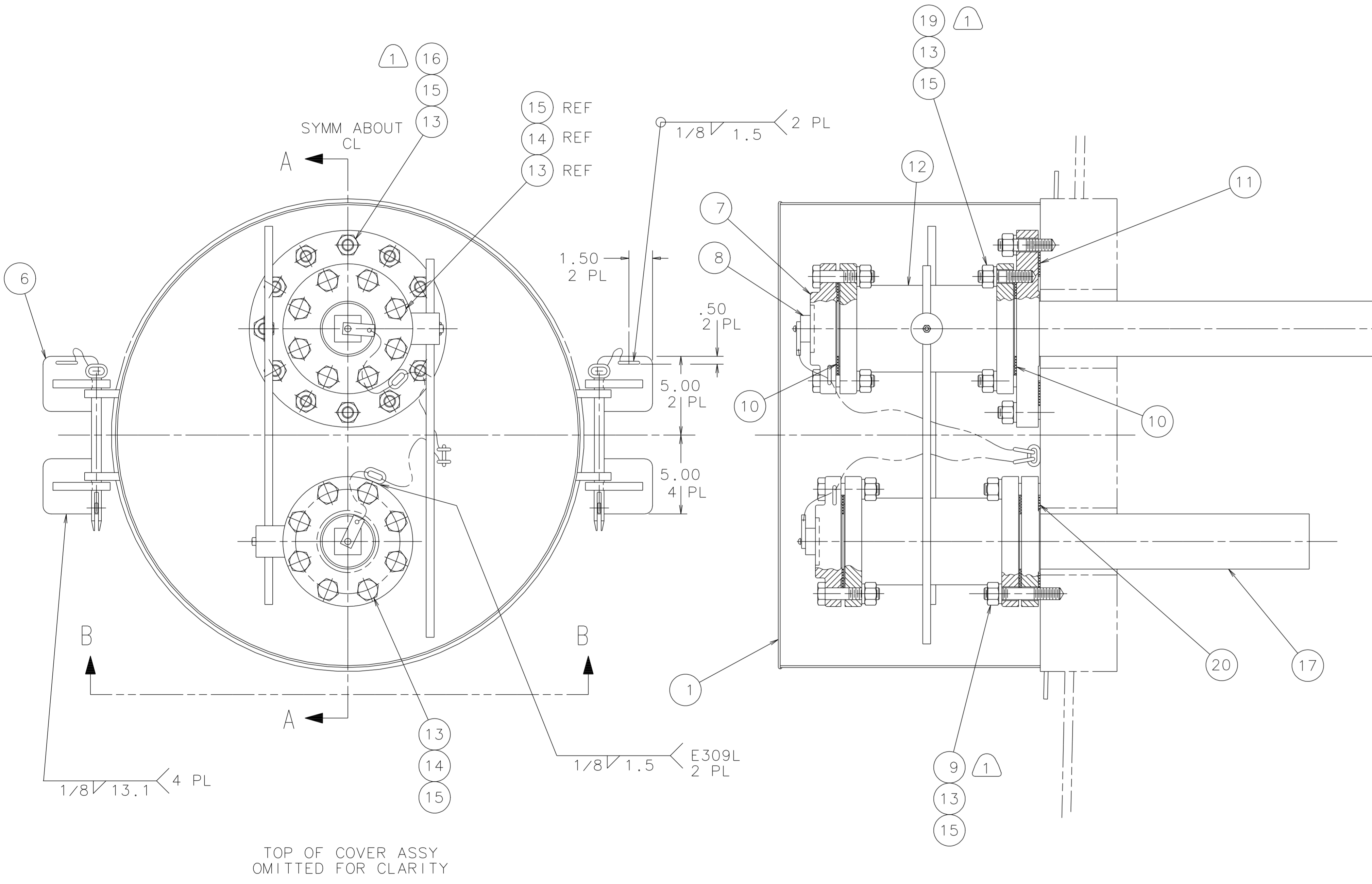


REF DWG: 5-U-2321



LINE NO. & QTY.	PART NO.	DWG. NO.	DESCRIPTION & MATL.	NOTE	ITEM
00					
1	3U767700	3-U-7677-00	COVER ASSY-HOUSING		1
1	3U780600	3-U-7806-00	GUIDE ASSY-3 IN. SIPHON PIPE		2
2	3U242201	3-U-2422-01	CHAIN AND PIN ASSY		3
4	2U780000	2-U-7800-00	LUG		4
1	3U778400	3-U-7784-00	PIPE ASSY-3 IN SIPHON W/FLG		5
4	2K705900	2-K-7059-00	PAD-LUG		6
2	90037506		THREADED FLANGE-3 IN. 300 LB ASTM A105		7
2	3U769800	3-U-7698-00	PLUG AND CHAIN ASSY-3 IN.		8
8	90035044	2-U-7721-01	STUD BOLT-3/4 IN X 4 1/2 IN. LG ASTM A193 B7		9
4	90038942		GASKET-5 7/8 OD X 3 1/2 ID X 1/8 THK GARLOCK 3700		10
1	90038946		GASKET-9 7/8 OD X 6 5/8 ID X 1/8 THK GARLOCK 3700		11
2	57333948		PLUG VALVE-3 IN. 300 LB. TUFLINE 0367-FSTS-WCB/316-WO		12
44	90002212		NUT-3/4-10 UNC-2B HVY HEX ASTM A194 GR 2H		13
16	90018807		CAP SCREW-3/4-10 UNC-2A X 3 1/2 ASTM A193 GR B7		14
44	90004042		WASHER-3/4 IN. REGULAR, HELICAL SPRING, STEEL		15
12	90035045	2-U-7721-02	STUD BOLT-3/4 X 3 1/2 IN. LG ASTM A193 B7		16
1	3U778100	3-U-7781-00	PIPE ASSY-GAUGING DEVICE W/FLG		17
2	50091011		S-HOOK MCMASTER CARR NO. 9381T55		18
8	90035043	2-U-7721-00	STUD BOLT-3/4 X 3 1/4 IN. LG. ASTM A193 B7		19
1	90038947		GASKET-5 7/8 OD X 4 1/4 ID X 1/8 THK GARLOCK 3700		20



SECTION A-A

- NOTES:
- ① APPLY A FEW DROPS OF LOCTITE (STUD LOCK) TO STUD BOLT THREADS AT INSTALLATION. APPLY TO END THREADED INTO BASE PLATE OR SIPHON PIPE FLG ONLY.
 - ② AFTER APPLICATION OF "S" HOOK, ITEM 18, TO CHAIN AND CHAIN LINK, CLOSE AS SHOWN.

PART NO. 5U762900

UNLESS OTHERWISE NOTED ALL DIMS. ARE IN INCHES

03
CODE NO
18-12404
LOT NO



TOP UNLOADING ARRANGEMENT

THIS DRAWING AND THE INFORMATION CONTAINED THEREIN ARE CONFIDENTIAL AND THE PROPERTY OF ACF INDUSTRIES. NO USE OR DISCLOSURE OF THE DRAWING OR INFORMATION CONTAINED THEREIN SHALL BE MADE WITHOUT PRIOR WRITTEN CONSENT OF ACF INDUSTRIES.

REV	DATE	DR	CK	DESCRIPTION	EST WT
-	-	-	-	WAS JM 986 PER CR 103	
-	-	-	-	90038918, AND 90038923 RESPECTIVELY; MATL	
B	09-13-95	RVD	TBB	ITEMS 10, 11, AND 20 CAT NO.S WERE 90038912	
A	-	-	-	ORIGINAL ISSUE	

GROUP	DR	DATE	DESCRIPTION
DRAFTER	RVD	03-14-95	
CHECKER	DFP	04-11-95	
GROUP LDR	-	-	
APPL ENGR	SAC	04-28-95	
STR ENGR	PJD	04-27-95	
PROJ ENGR	TBB	04-27-95	

TOL UNLESS NOTED DEC +/- .06 FRAC +/- ANG +/-	DWG NO. 5-U-7629	SCALE 1/4	SHEET
--	---------------------	-----------	-------