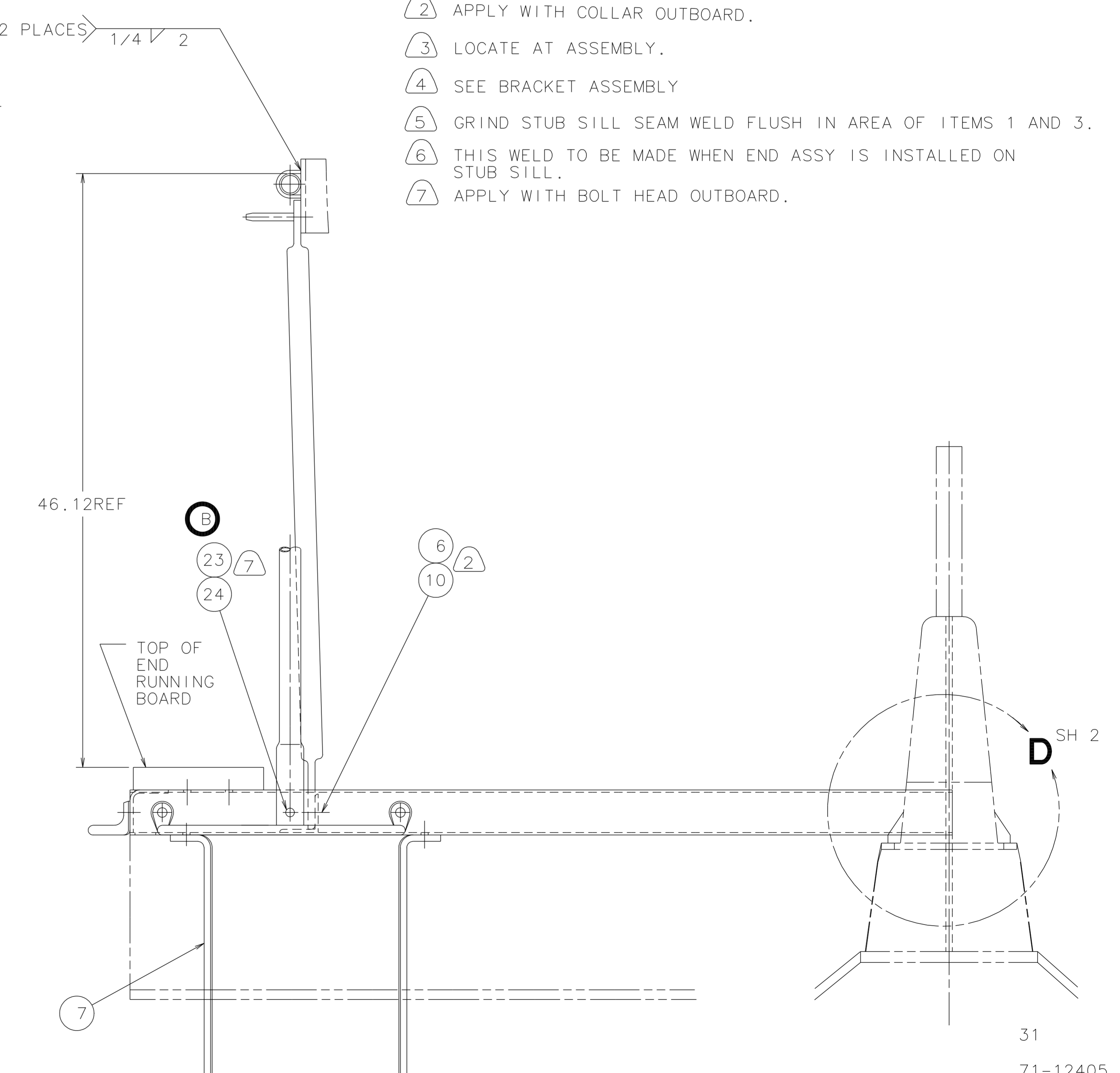
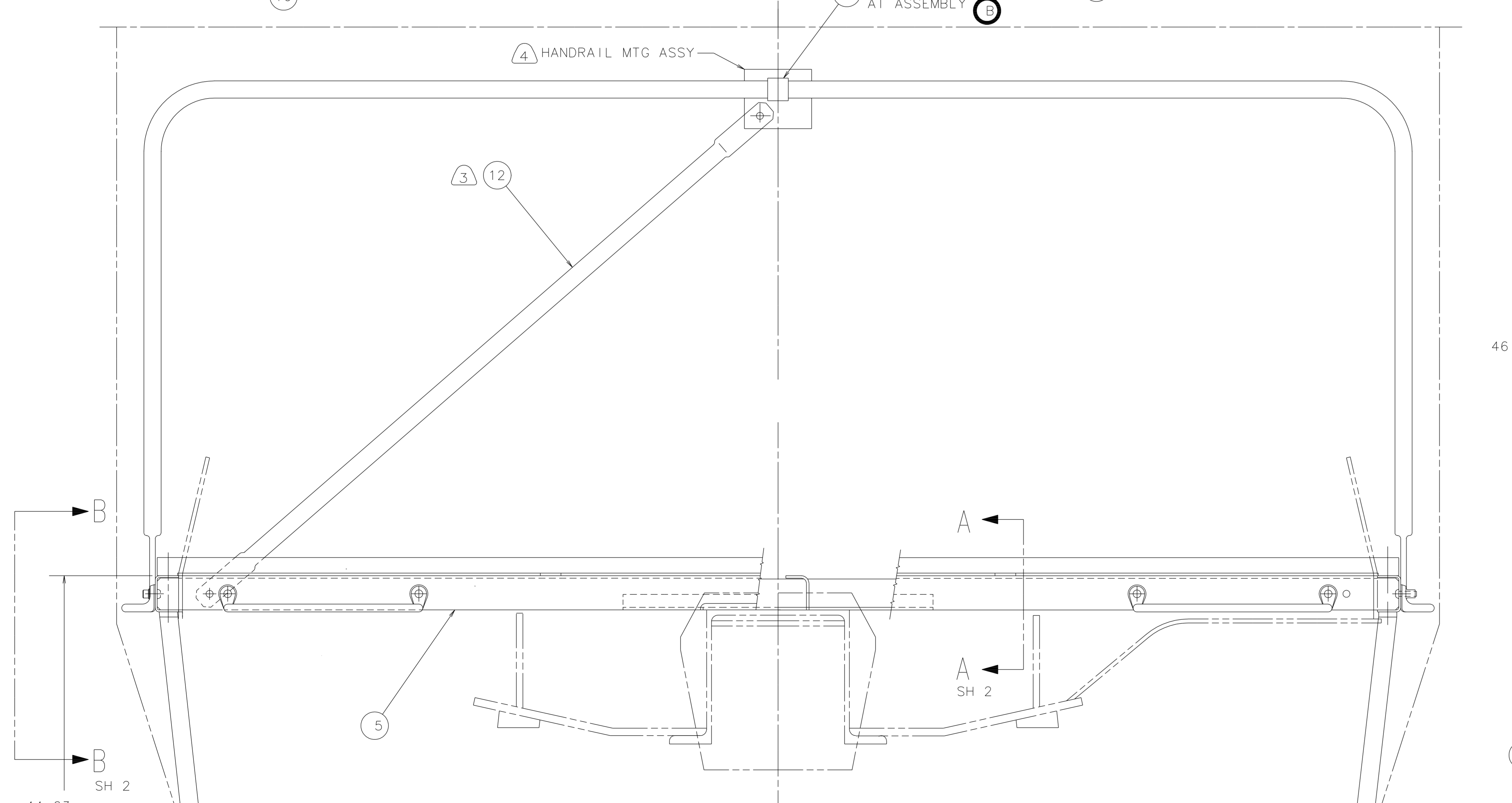


	1	3U334600	3-U-3346-00	SUPPORT-SIDE SILL	1
	1	3U461300	3-U-4613-00	SILL-SIDE	2
	1	2U162300	2-U-1623-00	STIFFENER-UNDERFRAME END SILL	3
	2	2U078800	2-U-0788-00	END-COVER, SIDE SILL	4
	1	4U163500	4-U-1635-00	SILL-END	5
(B)	2	90002546		COLLAR-5/8 MAGNA GRIP MGC-R20-U	6
	2	2U079300	2-U-0793-00	STEP-SILL	7
	1	3U079100	3-U-0791-00	BOARD-RUNNING END	8
	4	4D651283	4-D-6512-83	HANDHOLD	9
(B)	1	90034614		BOLT-5/8 MAGNA GRIP MGPB-R20-16	10
	1	3U078900	3-U-0789-00	HANDRAIL ASSY-END	11
	1	3K562303	3-K-5623-03	SUPPORT ASSY-DIAGONAL LONG	12
	7	90002400		NUT-STOP 21NE-083	13
	1	2U663700	2-U-6637-00	CLAMP-1 1/4 PIPE	14
	8	90034613		BOLT-1/2 MAGNA GRIP MGPB-R16-16	15
	8	90002544		COLLAR-1/2 MAGNA GRIP MGC-R16-U	16
	1	2U403200	2-U-4032-00	SUPPORT-GRATING	17
	7	90018587		SCREW-CAP 1/2-13UNC-2A X 1 1/2 LG H H ASTM A-449 ZINC PLTD	18
	2	2U832200	2-U-8322-00	GUSSET-SUPPORT	19
	1	3U461301	3-U-4613-01	SILL-SIDE	20
	4	90001313		BOLT-1/2, HUCK C50LR-BR16-8	21
	4	90002359		COLLAR-HUCK LC-2R16G	22
(B)	2	90001323		5/8-11UNC-2A HEX HD BOLT X 2 INCH LONG ASTM A307	23
	2	90002419		NUT-LOCK 5/8-11 UNC	24



- NOTES:
- 1 RIVET BOLT ENDS OVER NUTS, CHISEL CHECKING IN LIEU OF RIVETING OVER PERMISSIBLE AT END BOARD ATTACHMENT BOLTS.
 - (2) APPLY WITH COLLAR OUTBOARD.
 - (3) LOCATE AT ASSEMBLY.
 - (4) SEE BRACKET ASSEMBLY
 - (5) GRIND STUB SILL SEAM WELD FLUSH IN AREA OF ITEMS 1 AND 3.
 - (6) THIS WELD TO BE MADE WHEN END ASSY IS INSTALLED ON STUB SILL.
 - (7) APPLY WITH BOLT HEAD OUTBOARD.

44.63
3'-8 5/8"
RAIL TO TOP
OF SIDE SILL
BOTH SIDES

----- ADDED ITEMS 23 AND 24 AND NOTE 7 PER CR 69
 - - - - - ITEM 19 WAS 2U334900 PER CR-86 AND CR-66
 B 07-18-95 JCC TBB ITEM 14 WAS 1A983600 PER CR-67

.06
 DGK 03-15-95
 GMC 03-30-95

 JLP 03-31-95
 MRW 03-31-95
 JLP 03-31-95
 END ASSY-
 "A" END
 5-U-7625
 3/16 1 OF 2

