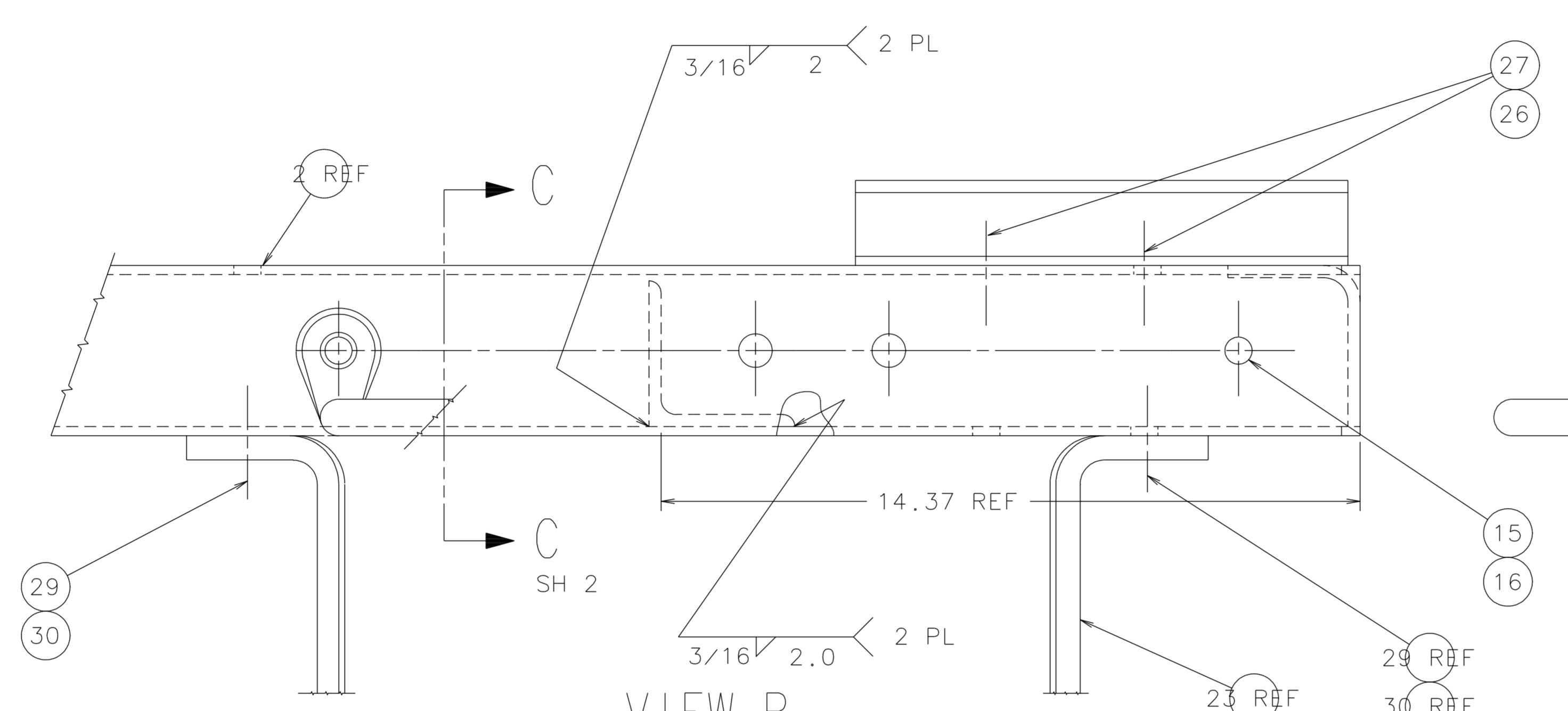
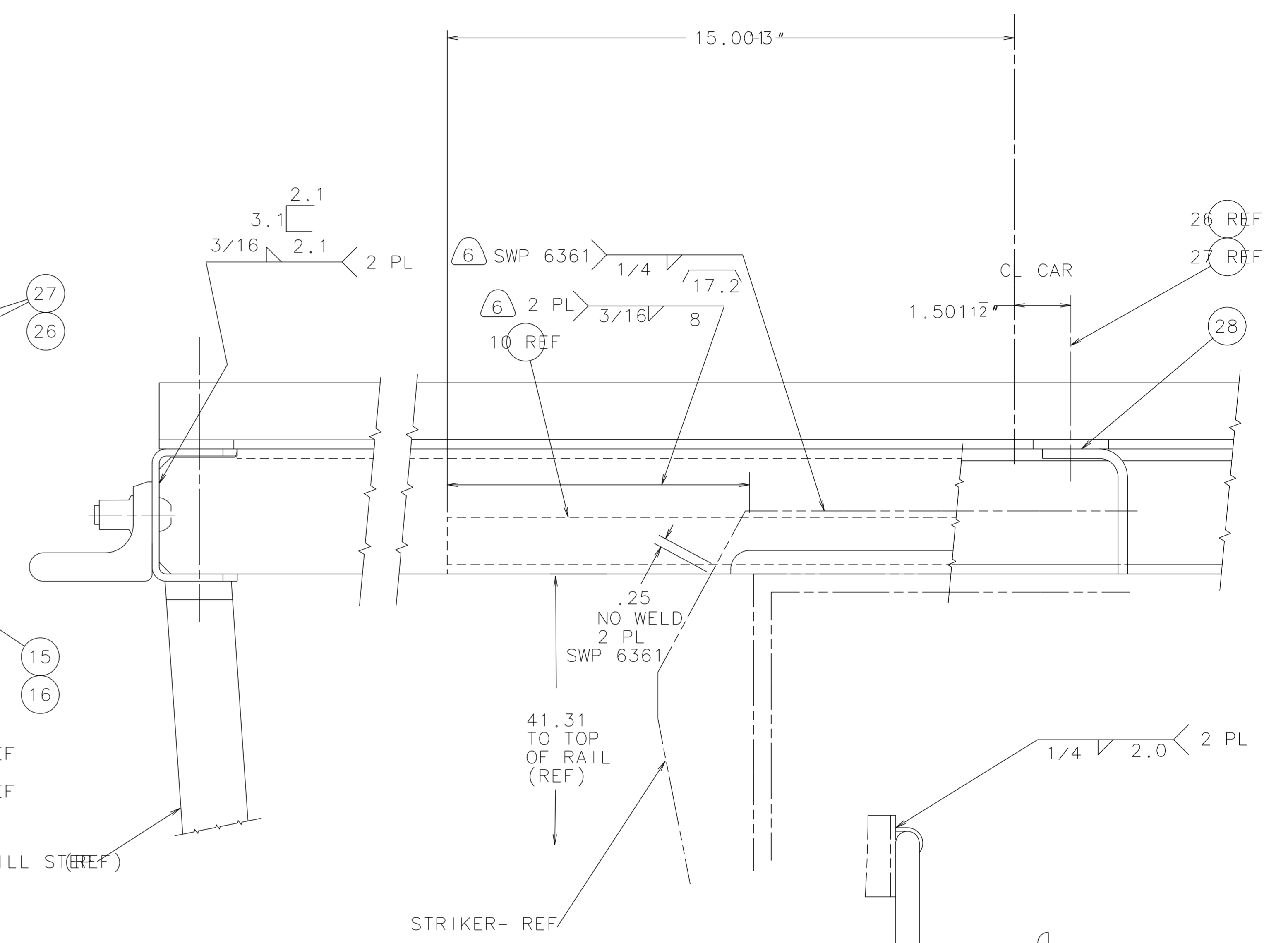


SECTION C-C



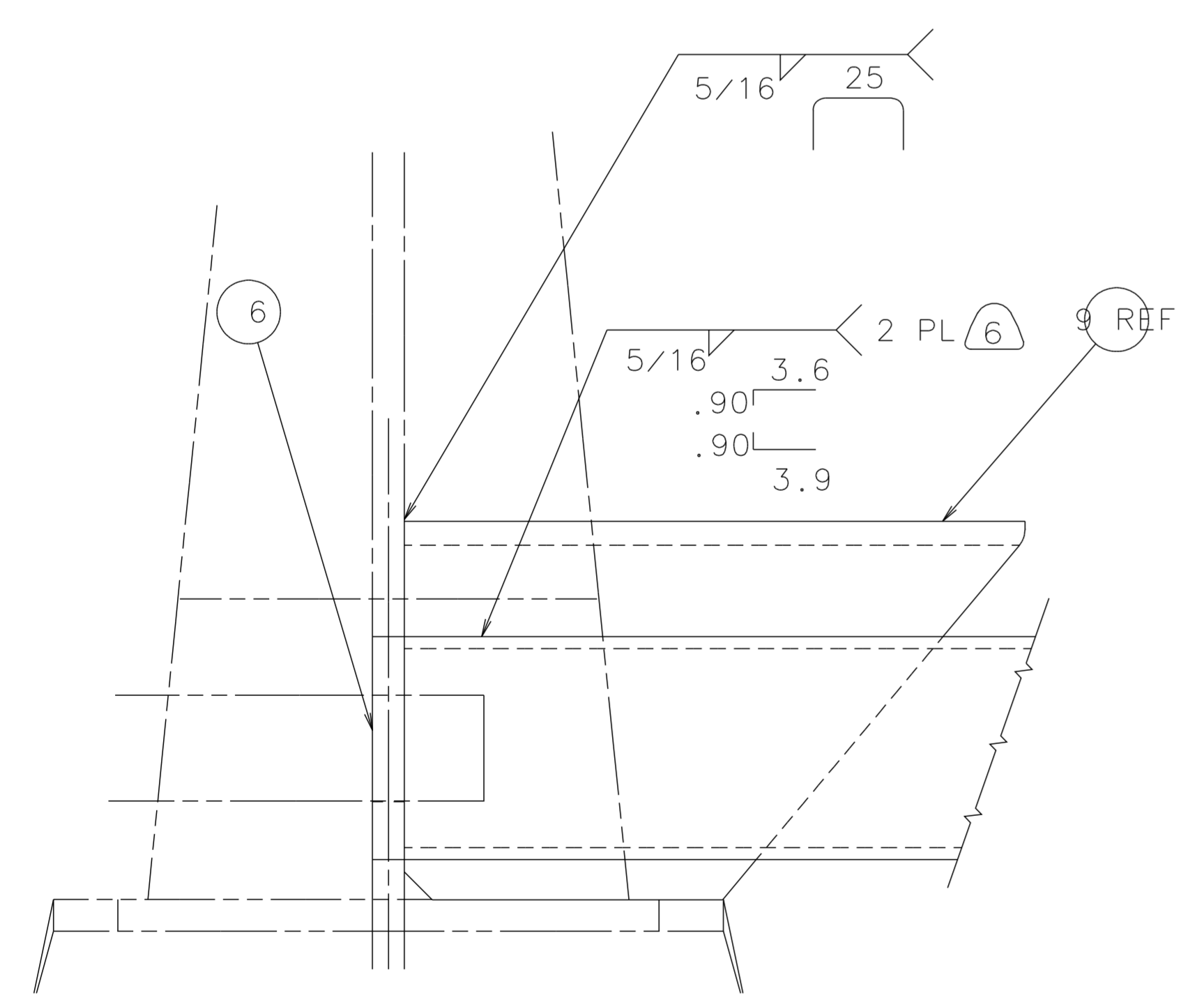
VIEW B

END HANDRAIL, DIAGONAL BRACE AND END HANDHOLD NOT SHOWN FOR CLARITY

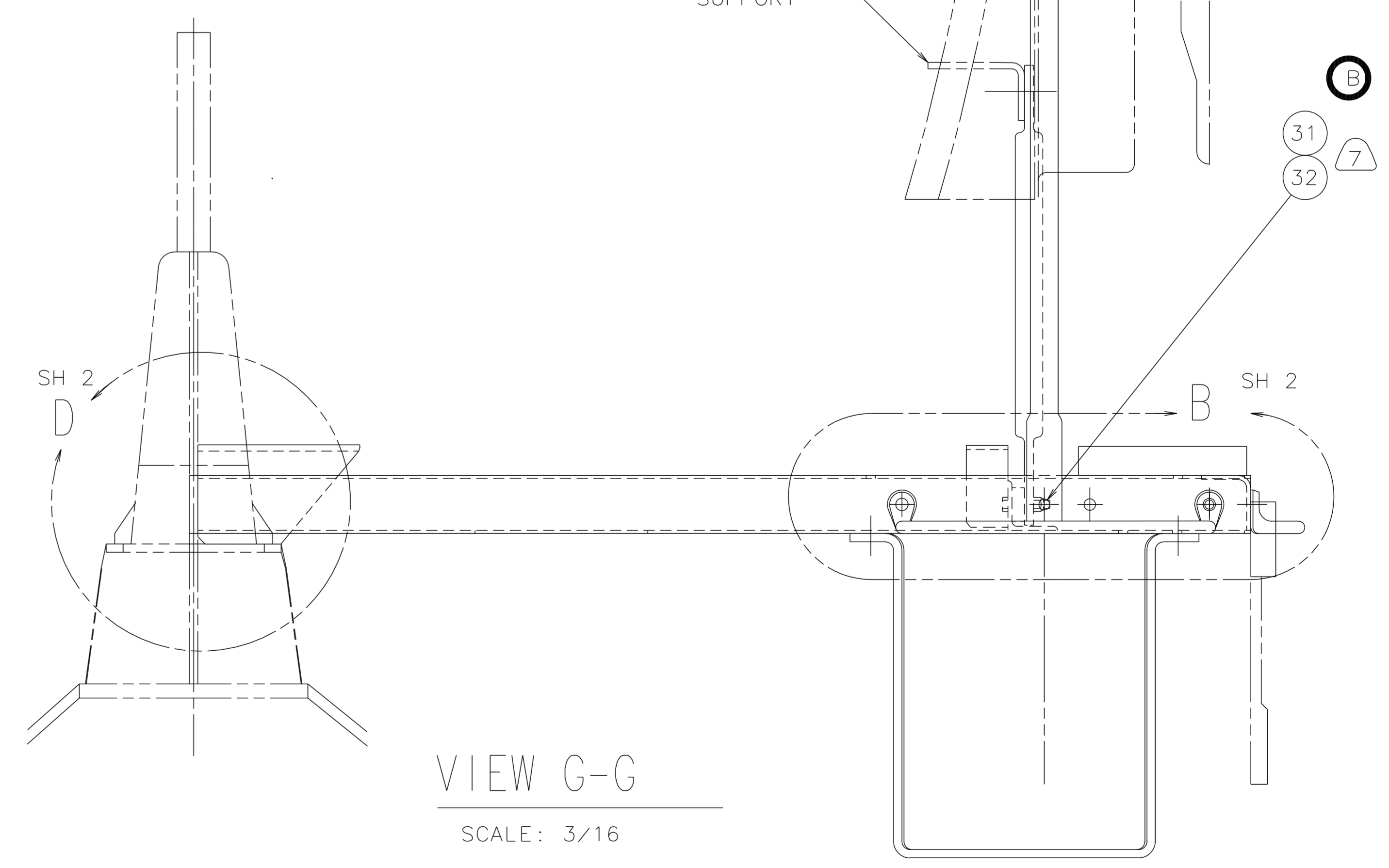
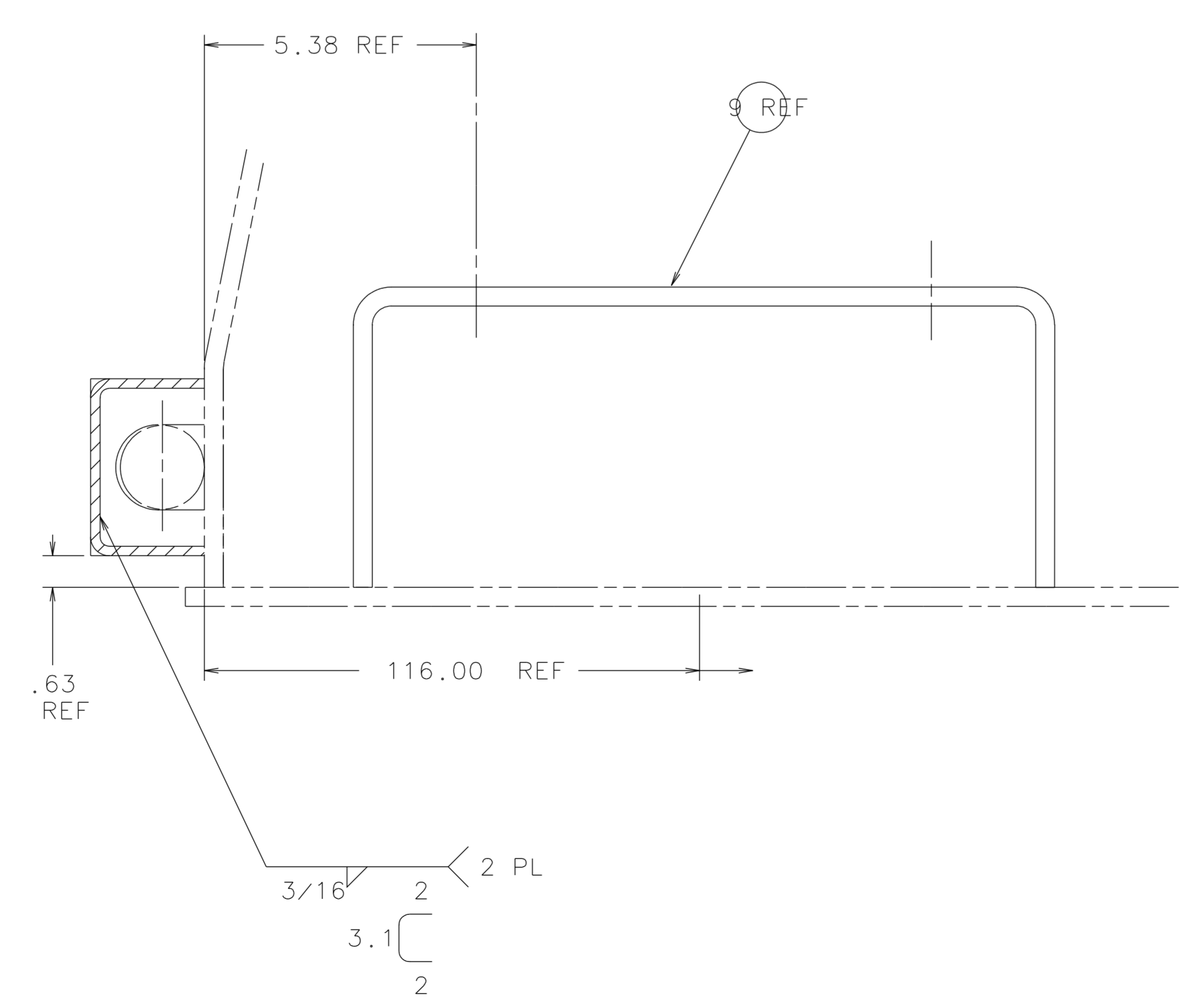


SILL ST (REF)

STRIKER- REF



VIEW D



VIEW G-G

SCALE: 3/16

