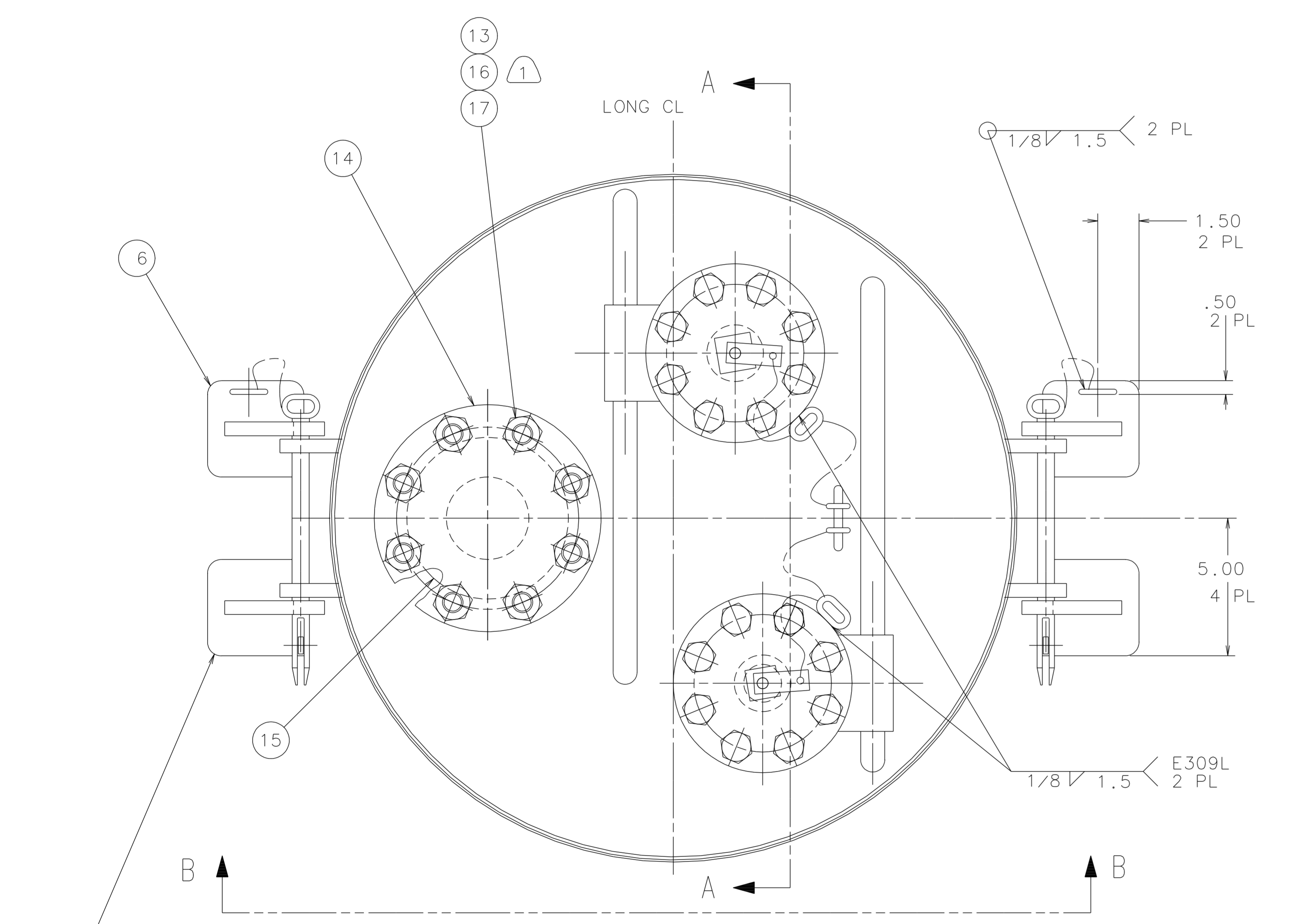
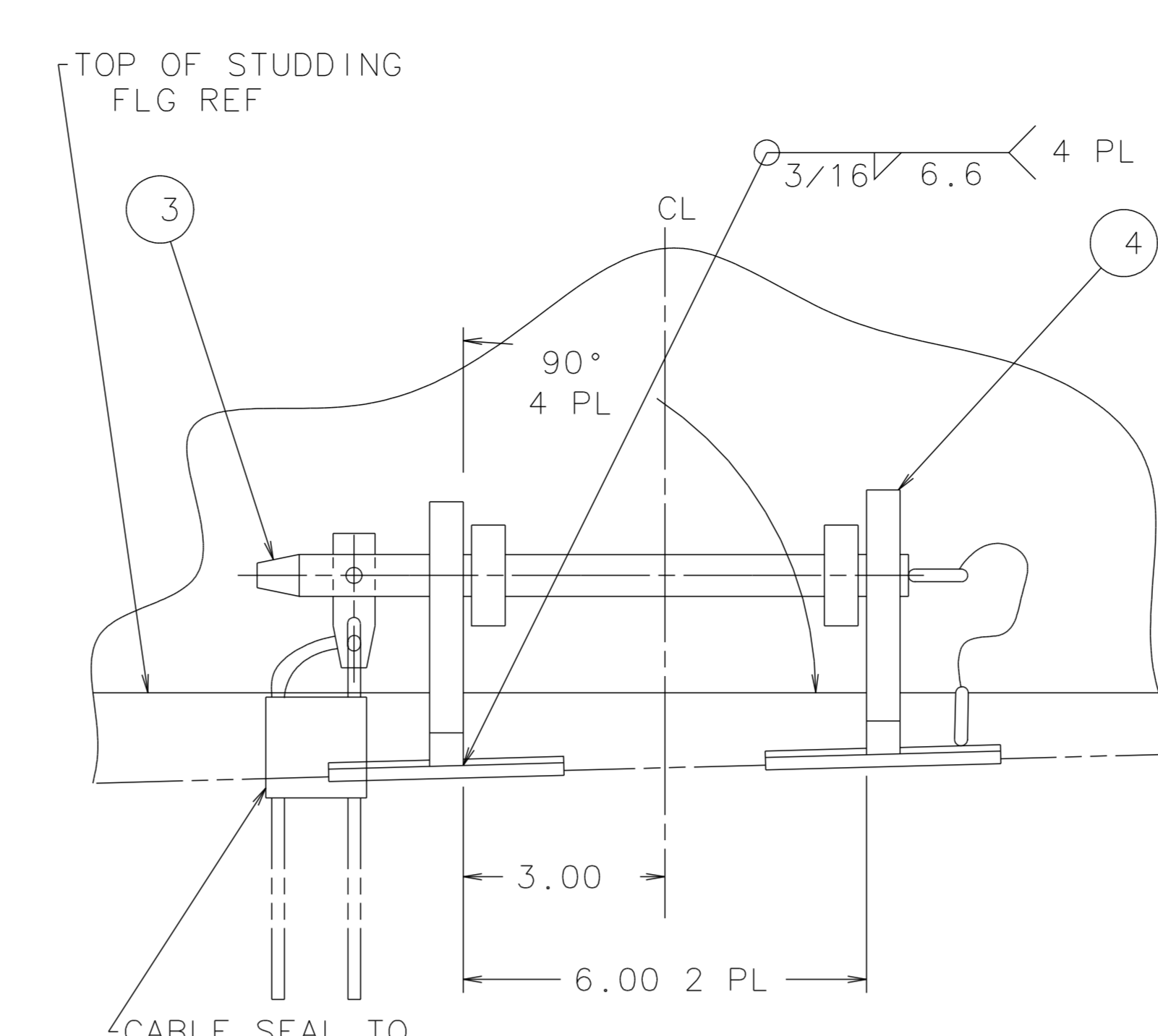


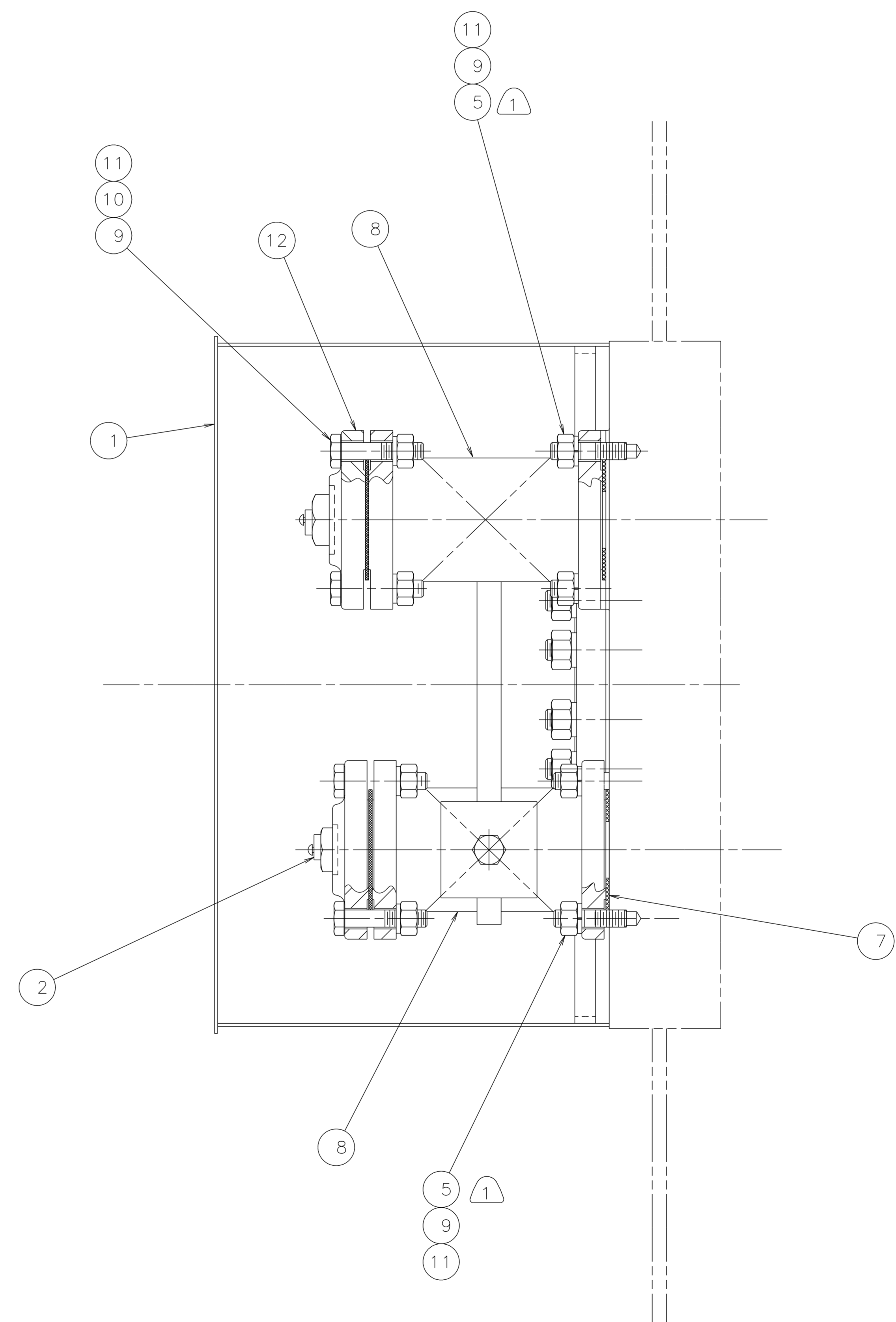
VIEW B-B



TOP OF COVER ASSY¹ OMITTED FOR CLARITY



VIEW C-C
SCALE: 1/2



SECTION A-A

LINE NO. & QTY.	PART NO.	DWG. NO.	DESCRIPTION & MATL.	NOTE	ITEM
00					
1	3U761300	3-U-7613-00	COVER ASSY-HOUSING		1
2	3U033500	3-U-0335-00	PLUG AND CHAIN ASSY-2 IN		2
2	3U242201	3-U-2422-01	CHAIN AND PIN ASSY		3
4	2U780000	2-U-7800-00	LUG		4
16	90035040	2-U-7723-00	STUD BOLT-5/8 X 2 3/4 LG		5
4	2K705900	2-K-7059-00	PAD-LUG		6
4	90038943		GASKET-4 3/8 OD X 2 3/8 ID X 1/8 THK, GARLOCK 3700		7
2	57333947		PLUG VALVE-2 IN, 300 LB, TUFLINE 0367-FSTS-WCB-316-WO		8
32	90004041		WASHER-5/8 REGULAR HELICAL SPRING		9
16	90018808		CAP SCREW-5/8-11UNC-2A X 3, ASTM A193 GR B7		10
32	90002321		NUT-5/8-11UNC-2B HVY HEX ASTM A194 GR 2H		11
2	90037376		FLANGE-2 IN, 300 LB, SCREWED		12
8	90004042		WASHER-3/4 REGULAR HELICAL SPRING STEEL		13
1	90037505		FLANGE-BLIND 3 IN-300 LB ASTM A105		14
1	90038942		GASKET-5 7/8 OD X 3 1/2 ID X 1/8 THK, GARLOCK 3700		15
8	90035043	2-U-7721-00	STUD BOLT-3/4 X 3 1/4 LG		16
8	90002212		NUT-3/4-10UNC-2B HVY HEX ASTM A194 GR 2H		17
2	50091011		S-HOOK MCMMASTER CARR NO. 9381T55		18

NOTES:

- 1 APPLY A FEW DROPS OF LOCTITE (STUD LOCK) TO THREADS AT INSTALLATION. APPLY TO END THREADED INTO STUDDING FLANGE ONLY.
- 2 AFTER APPLICATION OF "S" HOOK, ITEM 18, TO CHAIN AND CHAIN LINK CLOSE AS SHOWN.

PART NO.: 5U761200

UNLESS OTHERWISE NOTED ALL DIMS. ARE IN INCHES.	12 CODE NO 18-12404 LOT NO
---	-------------------------------------



OUTLET ARRANGEMENT-WATER

DWG NO. 5-U-7612	SIZE E
SCALE 3/8	SHEET

REV	DATE	DR	CK	DESCRIPTION	EST	WT
-	-	-	-	TOL UNLESS NOTED DEC +/- .06 FRAC +/- ANG +/-		
-	-	-	-	DRAFTER JCC 03-13-95 CHECKER DFP 04-17-95 GROUP LDR - - - - - APPL ENGR SAC 04-19-95 STR ENGR PJD 04-21-95 PROJ ENGR TBB 04-24-95		
-	-	-	-	PER CR 103		
B	09-13-95	RVD	TBB	ITEMS 7 AND 15 CAT NO.S WERE 90038919 AND ORIGINAL ISSUE		
A	-	-	-	-		

THIS DRAWING AND THE INFORMATION CONTAINED THEREIN ARE CONFIDENTIAL AND THE PROPERTY OF ACF INDUSTRIES. NO USE OR DISCLOSURE OF THE DRAWING OR INFORMATION CONTAINED THEREIN SHALL BE MADE WITHOUT PRIOR WRITTEN CONSENT OF ACF INDUSTRIES.