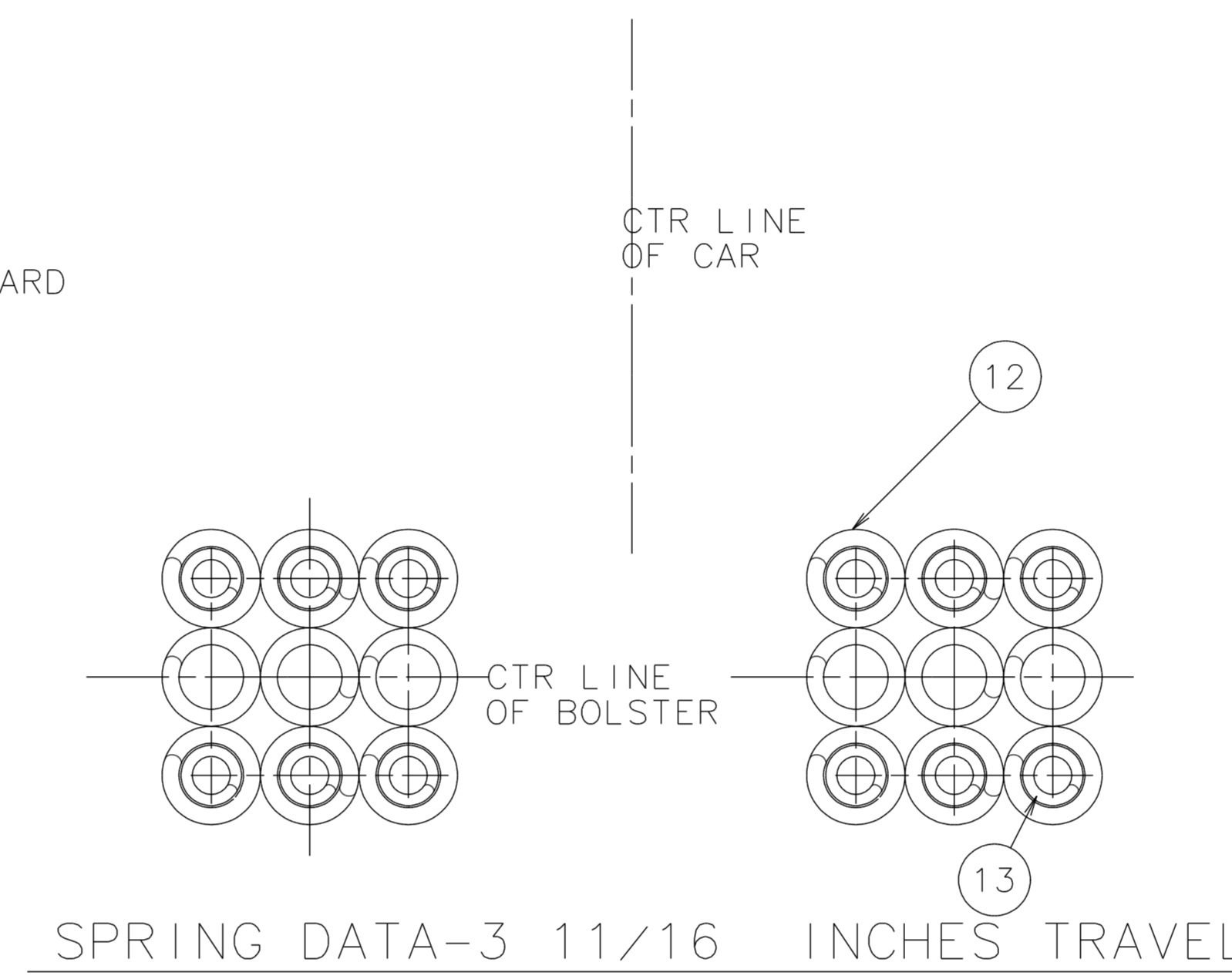


SCHMATIC
LOCATION OF BRAKE PINS & COTTERS



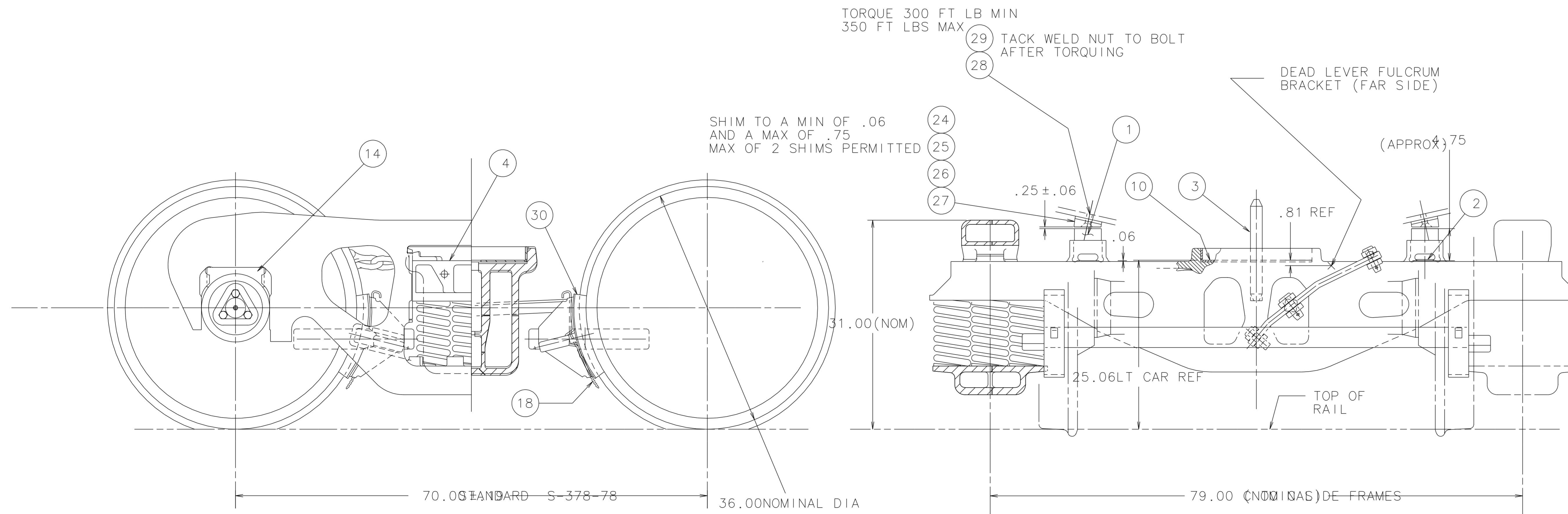
(9) AAR D5 OUTER COIL SPRINGS
(6) AAR D5 INNER COIL SPRINGS

2	2-A-0283	SHOE-SIDE BEARING	1
A/R	1-A-7428	SHIM-SIDE BEARING	2
1	2-K-2275	PIN-CENTER	3
1	2-H-0296-4	PARTS ASSEMBLY-TRUCK	4
1	1-J-1010	BOLSTER	5
2	1-H-6708	FRAME-SIDE	6
2	4-U-9157-00	WHEEL ASSEMBLY	7
2	3-E-4427-1	PIN-BRAKE	8
4	3-E-4425-4	PIN BRAKE	9
1	1-H-0512	LINER-WEAR, HORIZONTAL	10
2	50099742	CLEVIS W/ 45 DEG LH TWIST SCHAEFER DRAWING NO. 1123	11
18	58333360	SPRING-OUTER-AAR D5	1 12
12	58306250	SPRING-INNER-AAR D5	1 13
4	58322160	ADAPTER-AAR M 924 6.5 X 12 TYPE "N", SHLDR HARDENED	14
4	50091031	PLATE-WEAR-SIDE FRAME ACF DWG 4-U-1225	15
6	90014021	LUBRICATOR-SHELL OIL CO PANCAKES-PART NO. 72777	16
6	90007010	SPRING COTTER 3/8 X 2.5 EXTENDED PRONG, SQ CUT STEEL	17
4	1-C-6080	KEY-BRAKE SHOE AAR STANDARD S-376-82	18
1	57301027	LEVER-BRAKE 5 X 10 DEAD LEVER SCHAEFER DRAWING NO. 1234	19
1	57301307	LEVER-BRAKE 7 X 14 LIVE LEVER SCHAEFER DRAWING NO. 3667-A	20
1	57300047	ROD-BOTT CONNECTION SCHAEFER DWG NO. 1202-DB-8200	21
1	58317500	BEAM-BRAKE, AAR NO. 18 LEFT HAND	22
1	58317510	BEAM-BRAKE, AAR NO. 18 RIGHT HAND	23
AR	2-K-0012	SHIM-BEARING SIDE	24
AR	2-K-0012-1	SHIM-BEARING SIDE	25
AR	2-K-0012-2	SHIM-BEARING SIDE	26
2	58327390	SIDE-BEARING BODY 11-80734 3/4-10 UNC X 3 1/2 NO. 3 HD PLOW BOLT 2 3/8 MIN THD ASTM A449 TYPE 1	27
4	90034894	3/4-10 UNC X 3 1/2 NO. 3 HD PLOW BOLT 2 3/8 MIN THD ASTM A449 TYPE 1	28
4	90002212	3/4-10 HY HEX NUT A194 GR 2H	29
4	58316170	SHOE-BRAKE AAR H4 (H F COMP)	30

TORQUE 300 FT LB MIN
350 FT LBS MAX

(29) TACK WELD NUT TO BOLT
AFTER TORQUING

SHIM TO A MIN OF .06
AND A MAX OF .75
MAX OF 2 SHIMS PERMITTED



NOTES:

- SPRINGS - ITEMS NO. 12 AND NO. 13 MUST HAVE SHOT PEENED FINISH AND COATING OF TECTYL NO. 500.

NEW TRUCK

1111
92-3E000

C 4-25-96 GLB KEA ITEM 7 WAS 4-J-6513-11
B 7-13-94 GBD ITEM 15 W/58318012 CS-TC-8472 EFF FUTURE
A2 7-13-94 GBD ITEM 15 W/58318012 CS-TC-8472 EFF FUTURE
A1 12-03-92 TAS KEA ADDED *NEW TRUCK* FOR CLARIFICATION.

GBD 11-13-92
TAS 11-18-92
JF 11-16-92
MRW 11-16-92
KEA 11-16-92

TRUCK ARRG
RIDE CONT
100 TON

5-U-3259
1/8