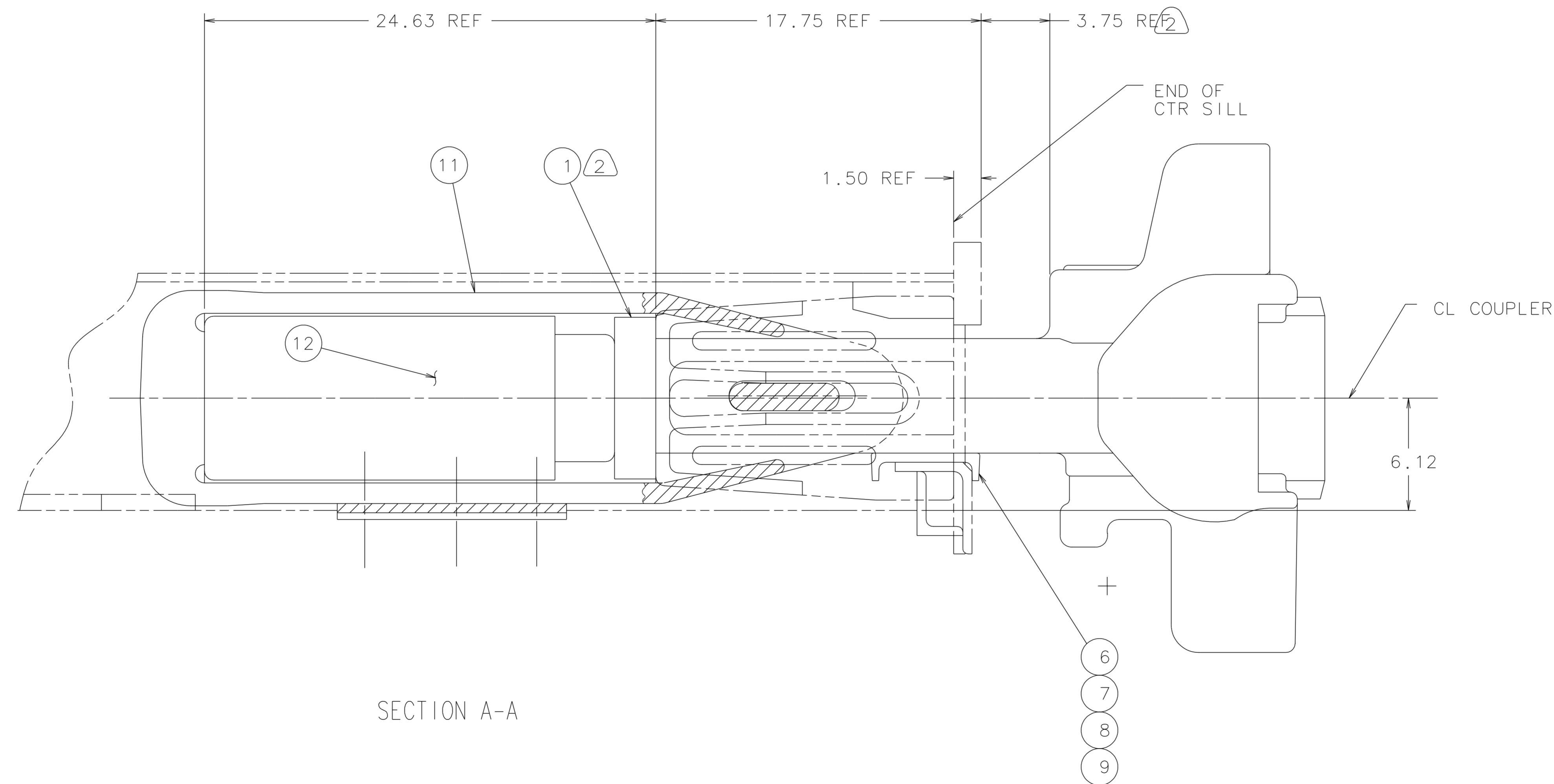
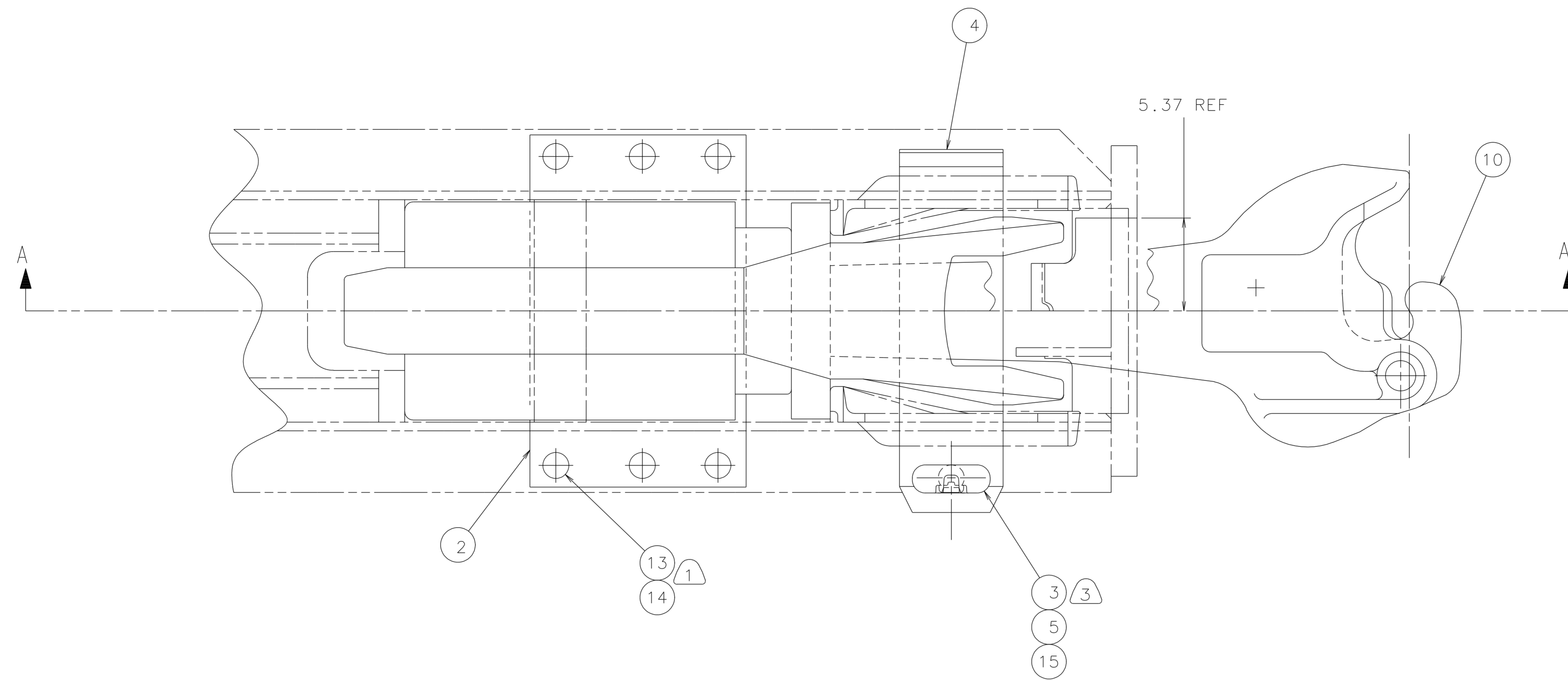


				1	58307120	1-E-8231-00	Y44 FOLLOWER PLATE			1
				1	2J941402	2-J-9414-02	CARRIER-DRAFT GEAR			2
				1	57308014	4-G-6459-00	RETAINER-DRAFT KEY			3
				1	6H687800	3-H-6878-00	DRAFT KEY			4
				1	50094157	3-G-6458-00	KEEPER-DRAFT KEY RETAINER			5
				AR	50092337	2-J-9880-00	WEAR PLATE-CPLR CARRIER			6
				AR	50092283	2-J-9880-01	WEAR PLATE-CPLR CARRIER			7
				AR	50092284	2-J-9880-02	WEAR PLATE-CPLR CARRIER			8
				AR	50092285	2-J-9880-03	WEAR PLATE-CPLR CARRIER			9
				1	58309400		COUPLER-SE60DE			10
				1	58305490		YOKE-SY40AE			11
				1	58303000		DRAFT GEAR-AAR SPEC M901E			12
				6	90002246		COLLAR-LOCKBOLT, LC2R-24G			13
				6	90034192		PIN-LOCKBOLT, HUCK, 3/4 C50LR-BR24-20			14
				1	90007010		PIN-COTTER, 3/8 DIA X 2 1/2 EXTENDED PRONG, SQ CUT, STEEL			15



- NOTES:
- ① LOCKBOLTS TO BE APPLIED WITH COLLAR UP.
  - ② ITEM NO 1 IS NOT REQD WHEN USING NATIONAL CASTINGS NO NC-440 DRAFT GEAR WHICH IS SUPPLIED WITH ITS OWN SPECIAL FOLLOWER. (3.75 BECOMES 4.12)
  - ③ APPLY DRAFT KEY RETAINER PER DWG 4-G-6525

PART NO. 5U314000

37  
92-3E000

.06

- - - - - 8 WAS 2J988002, 9 WAS 2J988003 PER STDS  
 - - - - - 3G645800, 6 WAS 2J988000, 7 WAS 2J988001,  
 - - - - - WAS 4G645900, 4 WAS 50093298, 5 WAS  
 C 10-02-96 DCK KEA CHGD PART NO.'S; ITEM 2 WAS 2J941401, 3  
 B 12-14-94 GBD ITEM 11 W/Y-40AE CS-TC-8569 ALL FUTURE  
 A1 8-10-94 GLB GMC DELETED DIM TO CL OF BOLSTER

GLB 10-21-92  
 WUC 10-23-92  
 JF 11-4-92  
 - - -  
 MRW 10-28-92  
 JLP 10-26-92

GEAR ARRGT-  
 DRAFT, STUB SILL

5-U-3140  
 1/4