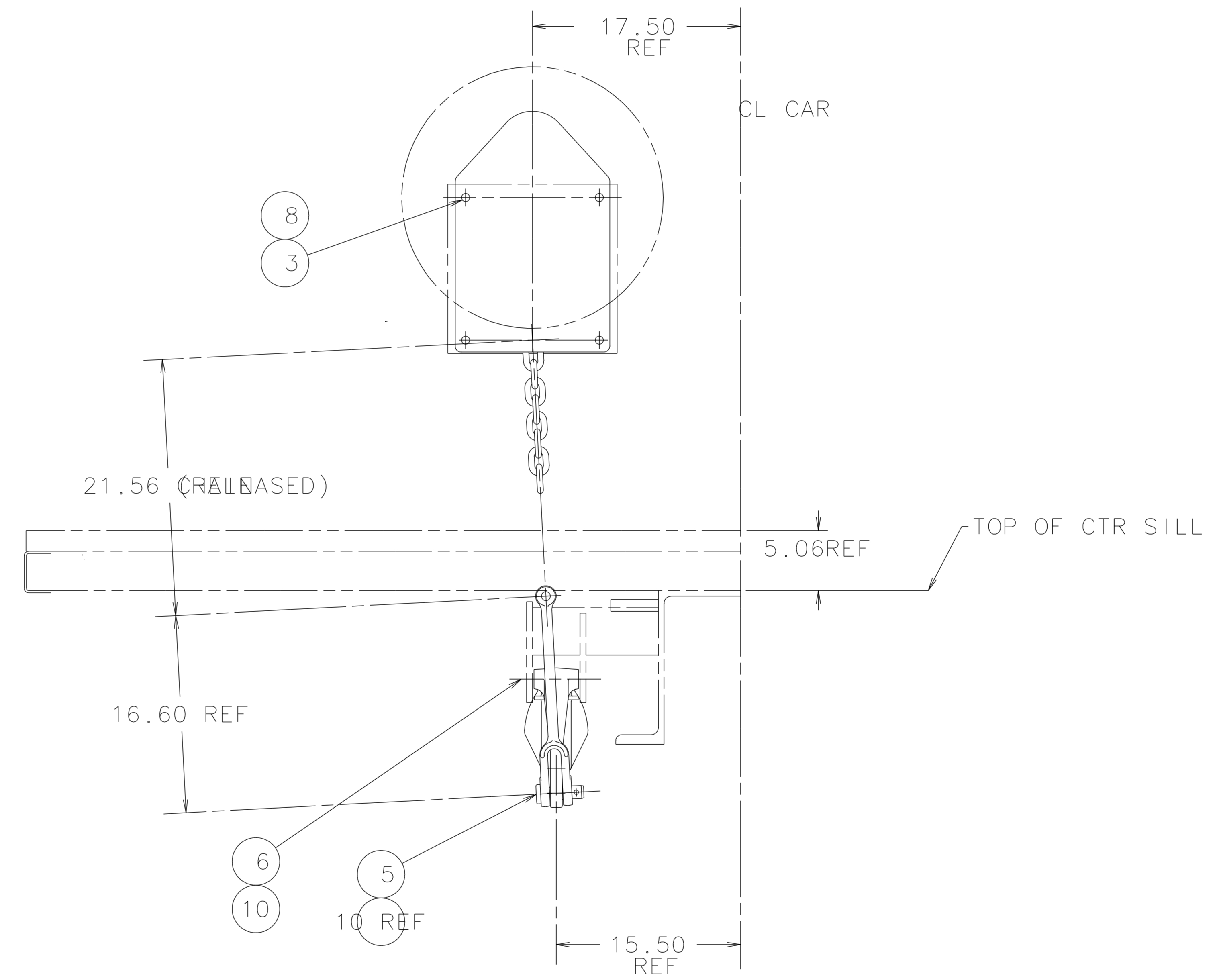
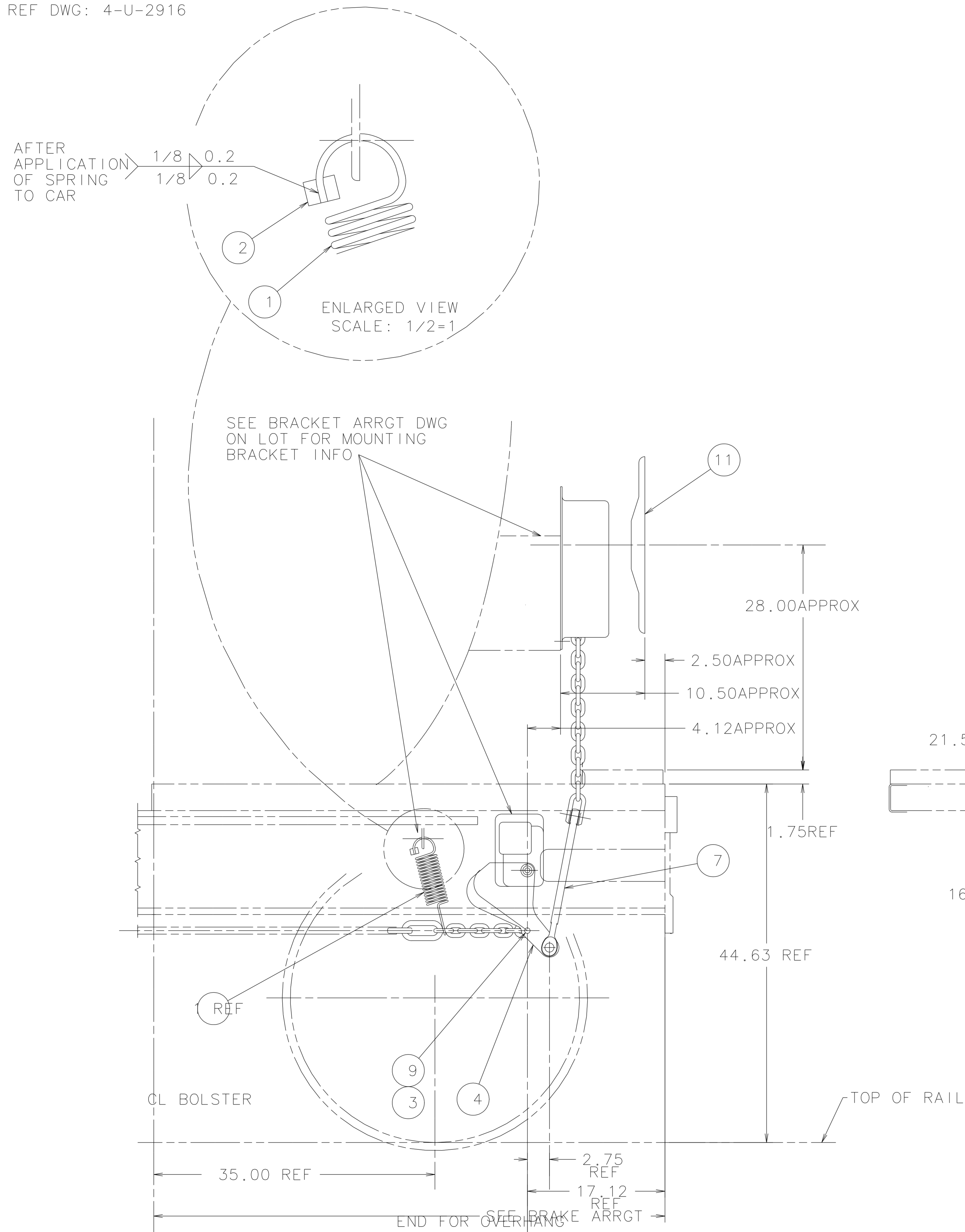


REF DWG: 4-U-2916



1	11-82936	SPRING	1
1	2-U-1252	RETAINER	2
5	90002419	LOCKNUT-5/8-11UNC	1 3
1	50096755	BELLCRANK-AAR NO. 66	4
1	3-E-4425-4	PIN-BRAKE-1 3/32 DIA	5
1	3-E-4425-28	PIN-BRAKE-1 3/32 DIA	6
1	3-U-0908	ROD ASSY-VERTICAL HD BRK	7
4	90001323	BOLT-5/8-11UNC-2A X 2 HEX HD ASTM A307 GR A	8
1	90034081	BOLT-5/8-11UNC-2A X 2 3/4 HEX HD ASTM A325 TYPE 1	9
2	90007010	SPRING COTTER-3/8 X 2 1/2 EXTENDED PRONG SQ CUT - STEEL	10
1	58311700	HANDBRAKE-AAR 1993-QUICK RELEASE VERTICAL WHEEL NON-SPIN TYPE BOTTOM RELEASE LEVER	11

NOTE:
1. ITEM NO 3 IS TO BE GRADE "B"
PLAIN INSERT TYPE LOCKNUTS
PER AAR M-922 (SPEC IF1-100).

2927
92-3E000

C 8-28-95 GBD KEA DIM WAS 63.62 REF
- - - - - ITEM 11 WAS 58311270 (1980 HANDBRAKE)
B 3-3-93 GLB RAS ITEM 2 WAS 11-84327 (SUPSD BY 2-U-1252)

WUC 11-2-92
MTC 11-16-92
JF 11-16-92
SAC 11-17-92
MRW 11-16-92
KEA 11-16-92

HANDBRAKE
ARRANGEMENT -
VERT WHL

4-U-3146
1/8