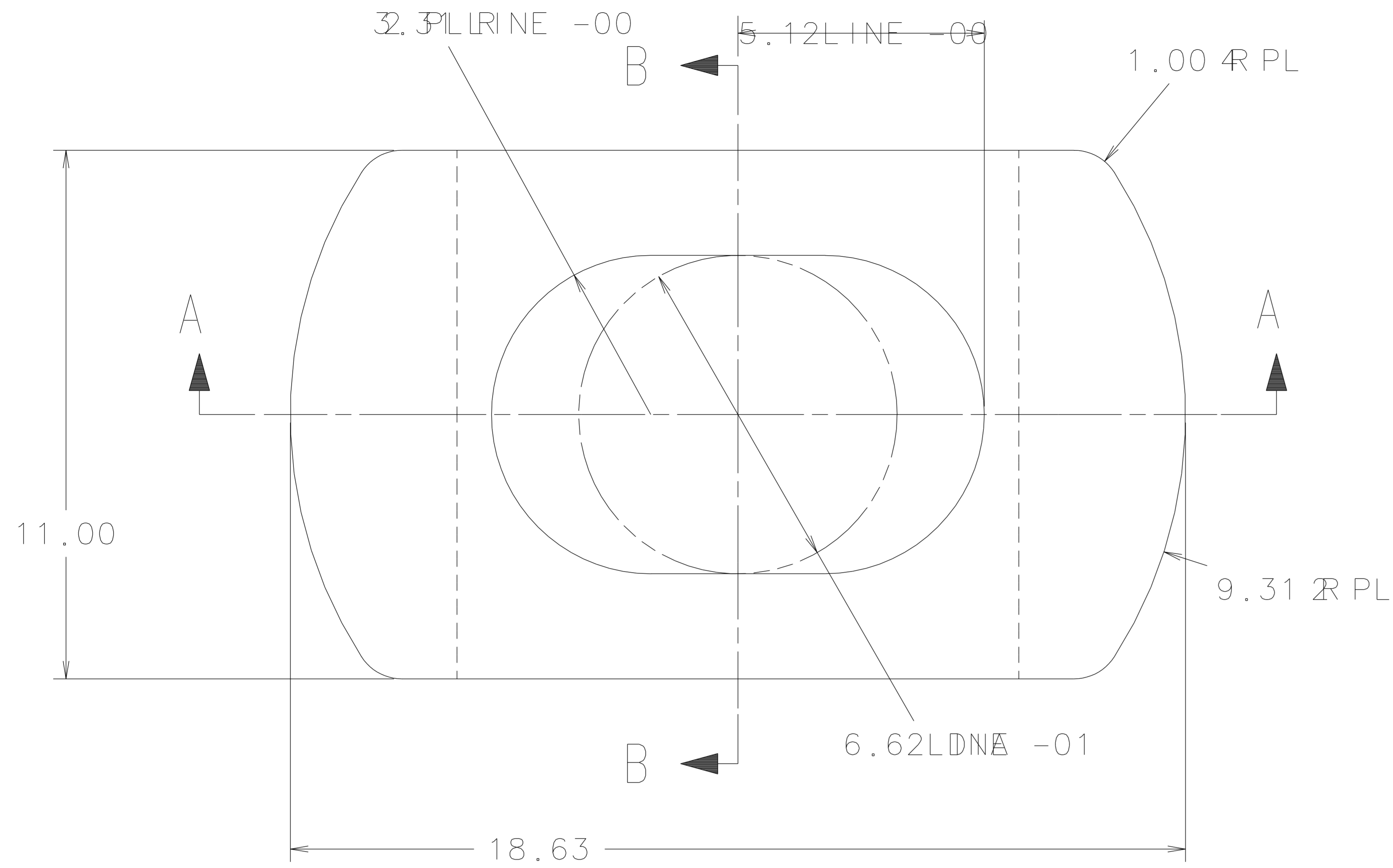


REF DWG: 3-J-9747

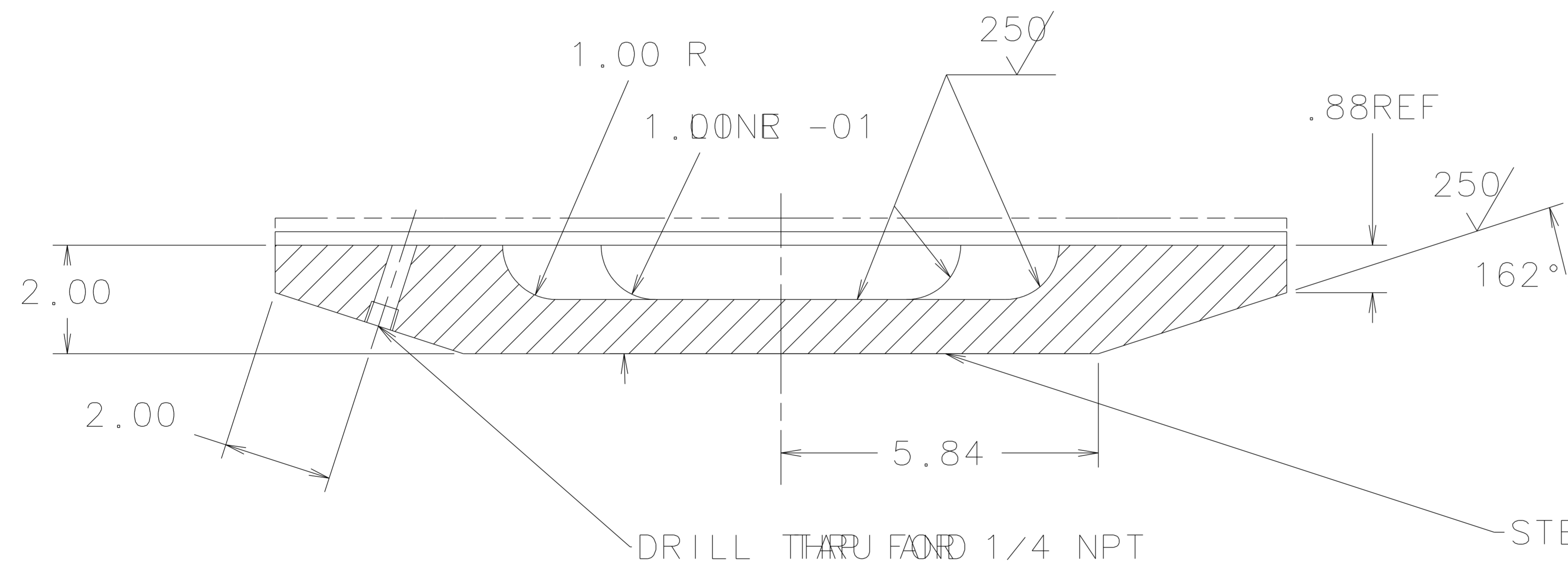


NOTE:

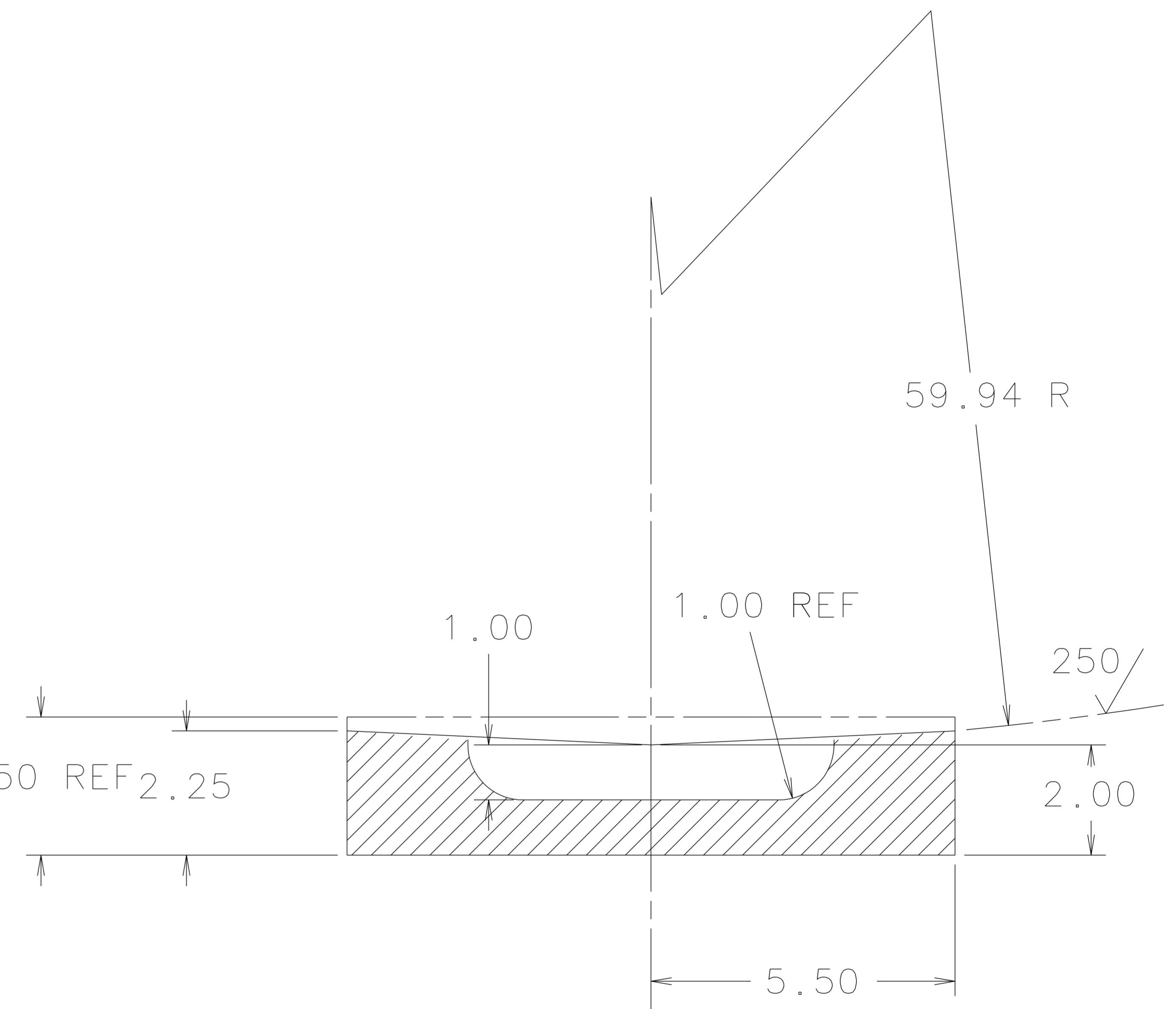
MATERIAL: ASTM A-516 GR 70, NORMALIZE
CRITICAL NOTE: 0017 AND 0058

UNIT SIZE: 11 X 2 1/2 X 18 5/8

PART NO.	LINE NO.	DESCRIPTION
3U474600	-00	6.62 X 10.24 ELONGATED CAVITY
3U474601	-01	6.62 DIA CAVITY



SECTION A-A



SECTION B-B

SUPERSEDES: 3-J-9747

NOTED

92-3E027

A1 5-17-95 TBB DFP ADDED LINE -01, LOT 18-12404
, LOT NO. WAS 71-15625

.06
.5°
GMC 09-02-93

KEA 03-11-94
115 LB

SUMP-
PIPE, EDUCTION
3-U-4746
3/8