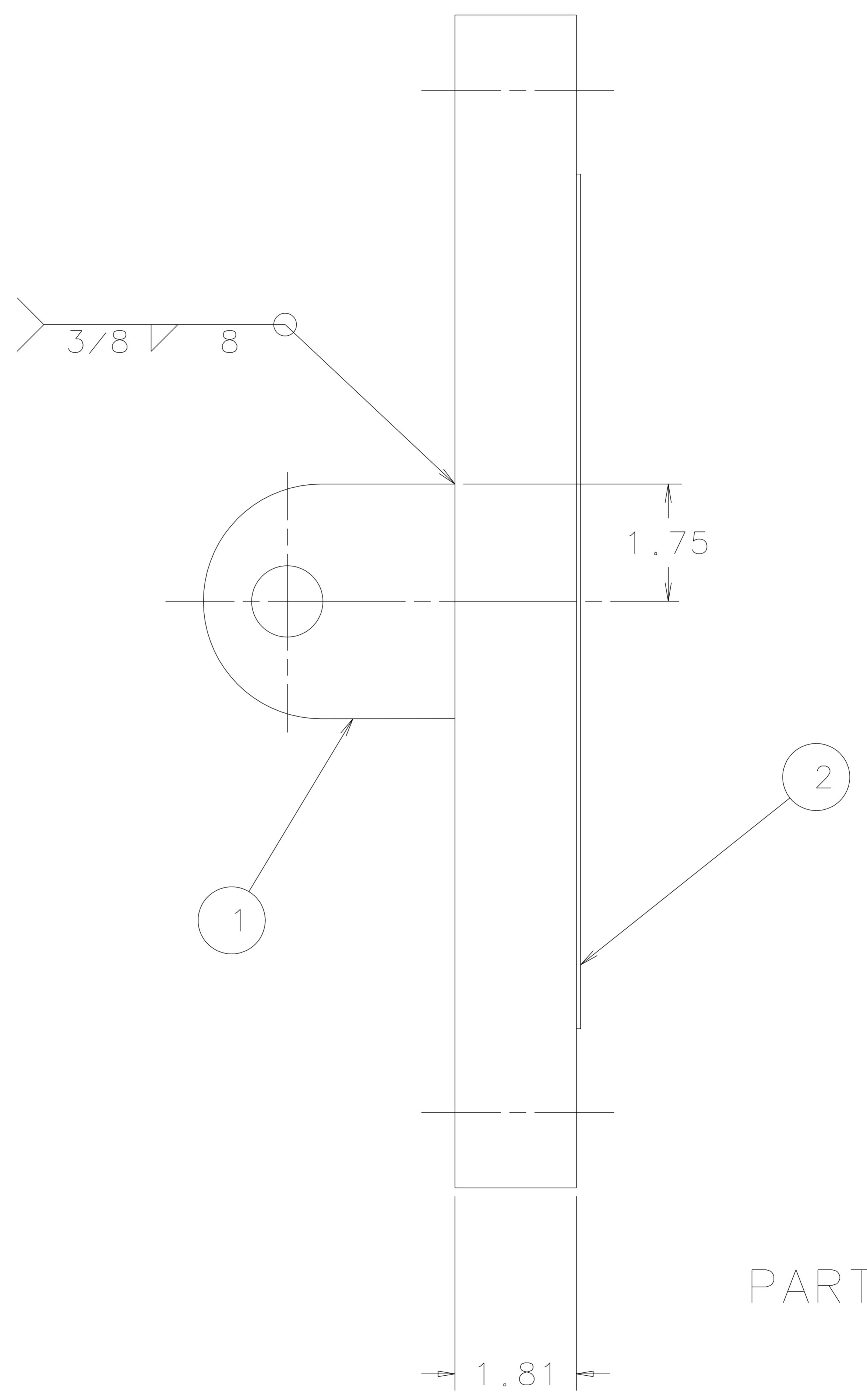
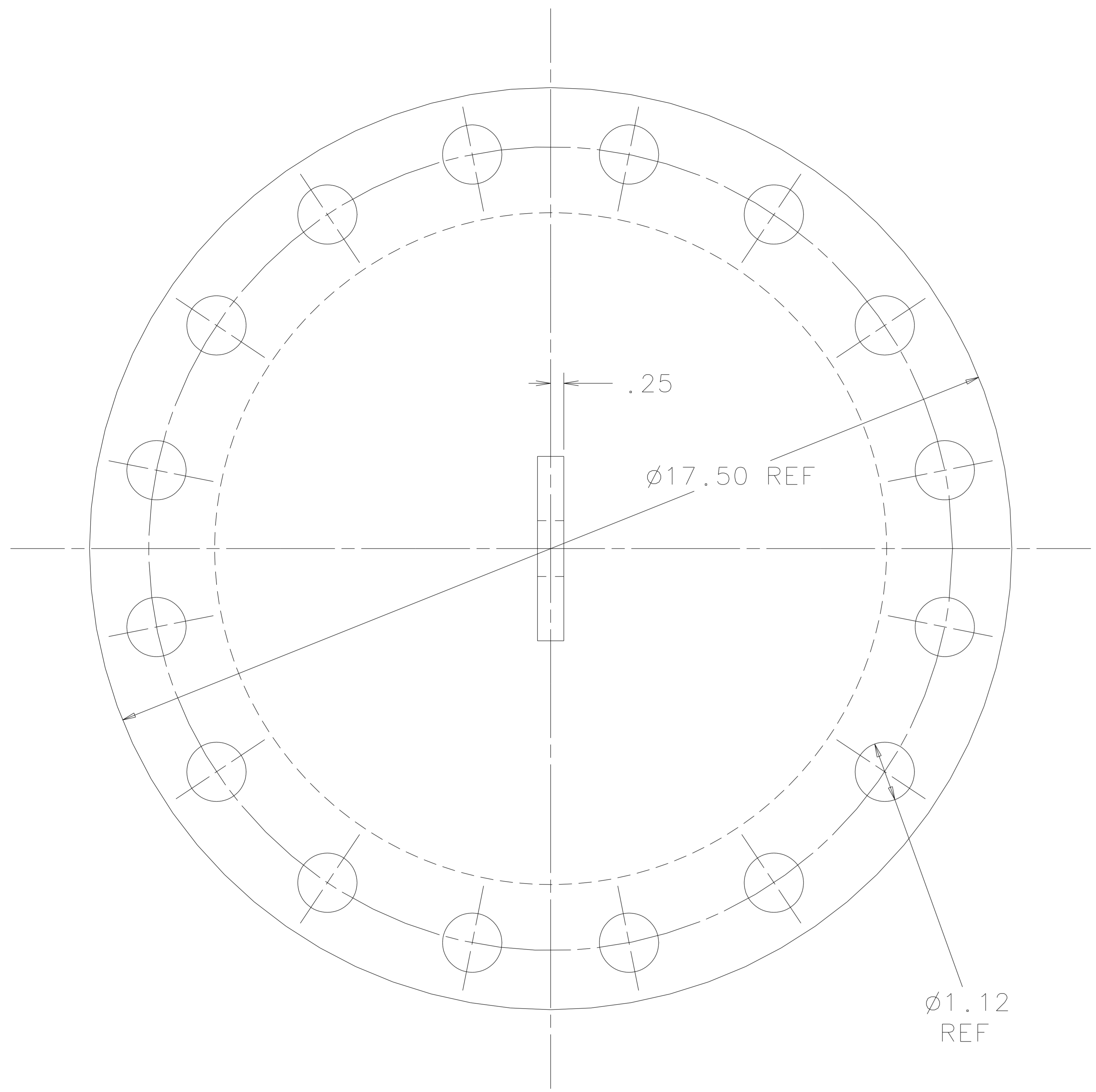


LINE NO. & QTY.				PARTS LIST					
				PART NO.	DWG. NO.	DESCRIPTION & MATL.		NOTE	ITEM
			00						
			1	2U334400	2-U-3344-00	LUG-FLANGE			1
			1	90037378		FLANGE-BLIND, 10 IN. 300 LB, RAISED FACE, ASTM A105			2



PART NO.: 3U334500

UNLESS OTHERWISE NOTED ALL DIMS. ARE IN INCHES.	CODE NO
	71-12380
	LOT NO

NOTICE:
THIS DRAWING AND THE INFORMATION CONTAINED THEREIN ARE CONFIDENTIAL AND THE PROPERTY OF ACF INDUSTRIES. NO USE OR DISCLOSURE OF THE DRAWING OR INFORMATION CONTAINED THEREIN SHALL BE MADE WITHOUT PRIOR WRITTEN CONSENT OF ACF INDUSTRIES.

REV	DATE	DR	CK	DESCRIPTION	EST WGT	SCALE	SHEET
A1	08-22-00	GEB	TAS	UPDATED FORMAT			
A	-	-	-	ORIGINAL ISSUE			

TOLERANCE UNLESS NOTED
DEC +/- .06 FRAC +/-
ANG +/-

acf ACF INDUSTRIES INCORPORATED

FLANGE ASSY-BLIND

DWG NO. 3-U-3345 SIZE C