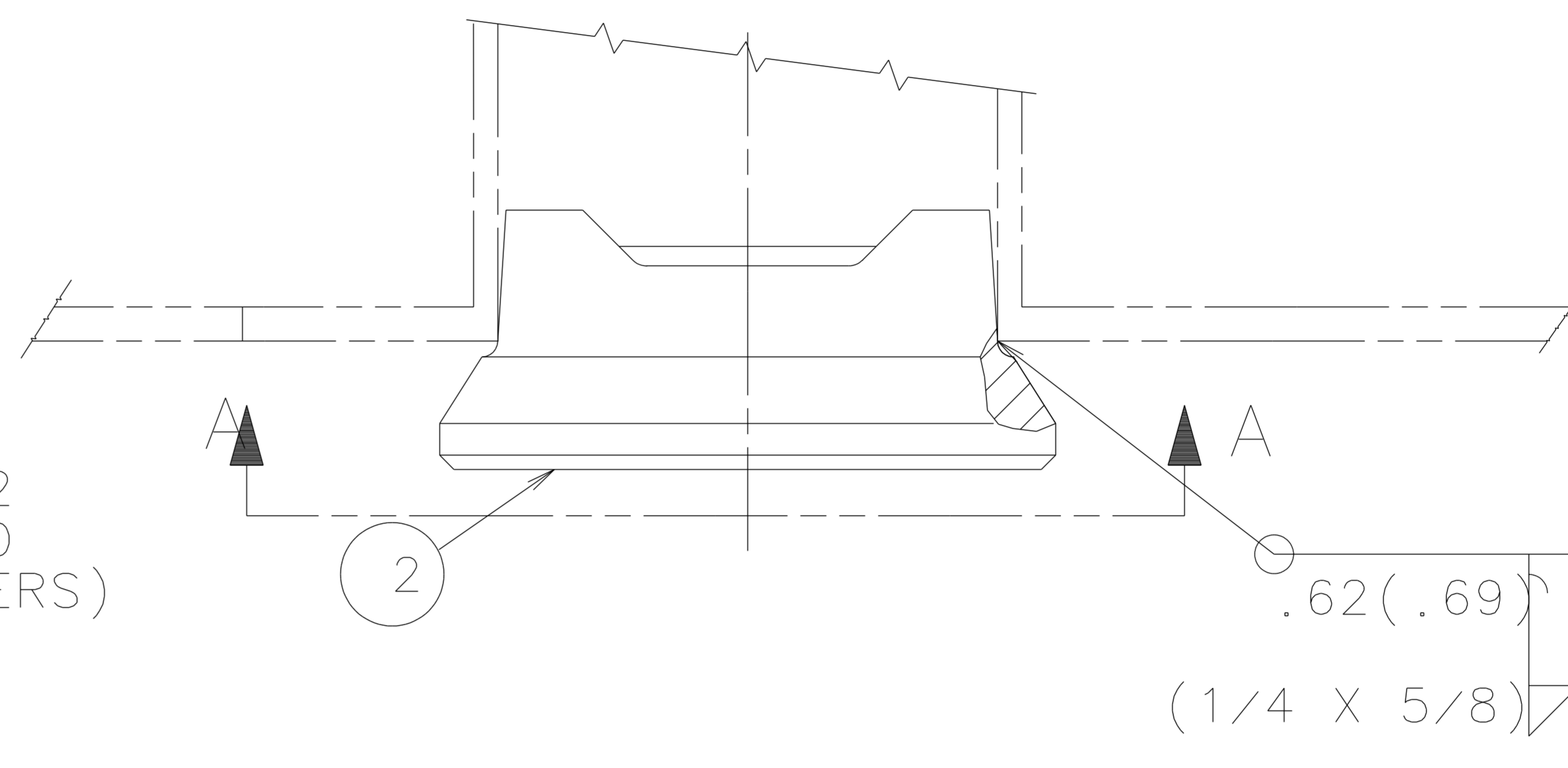
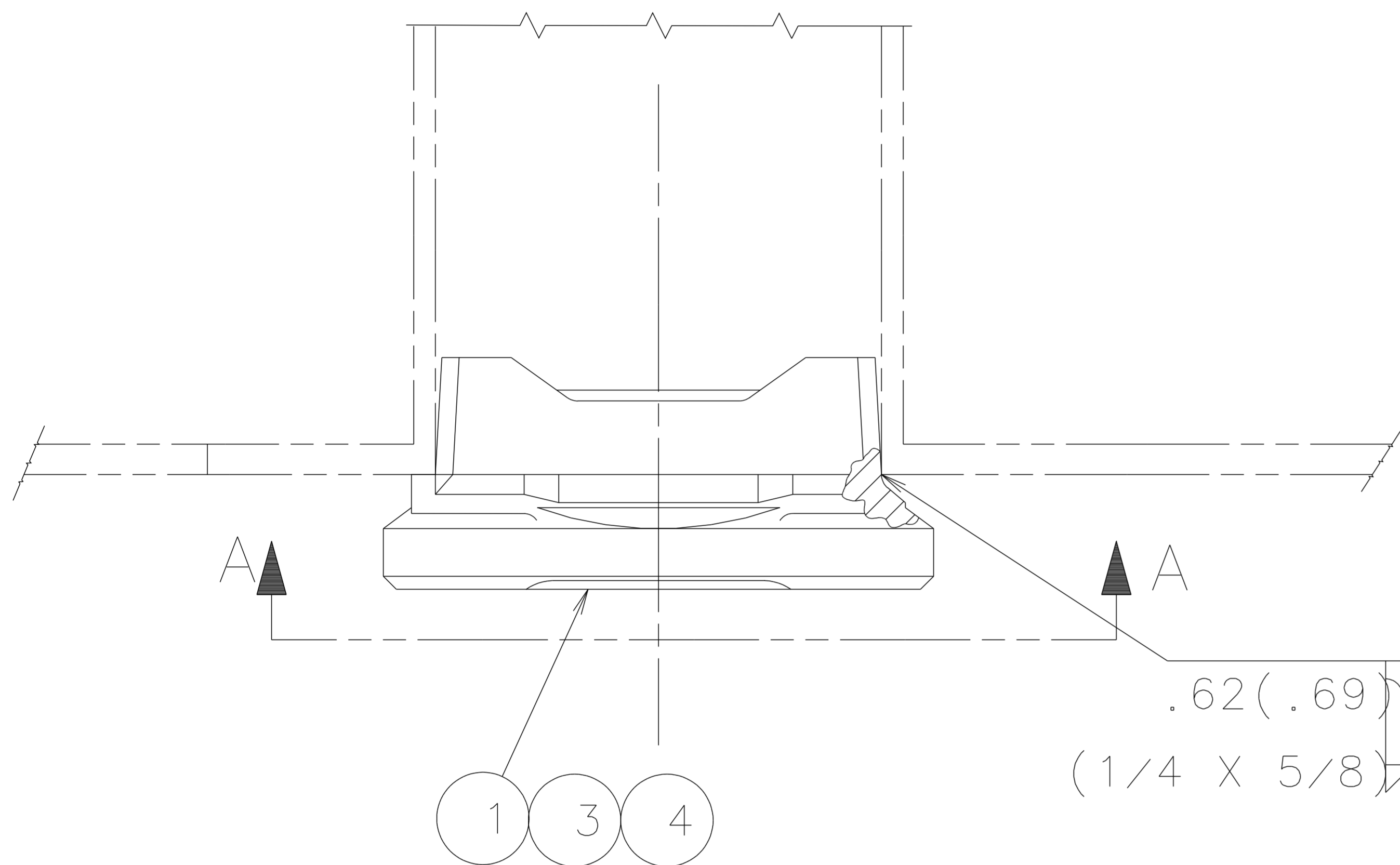


REF DWG: 5-U-1347

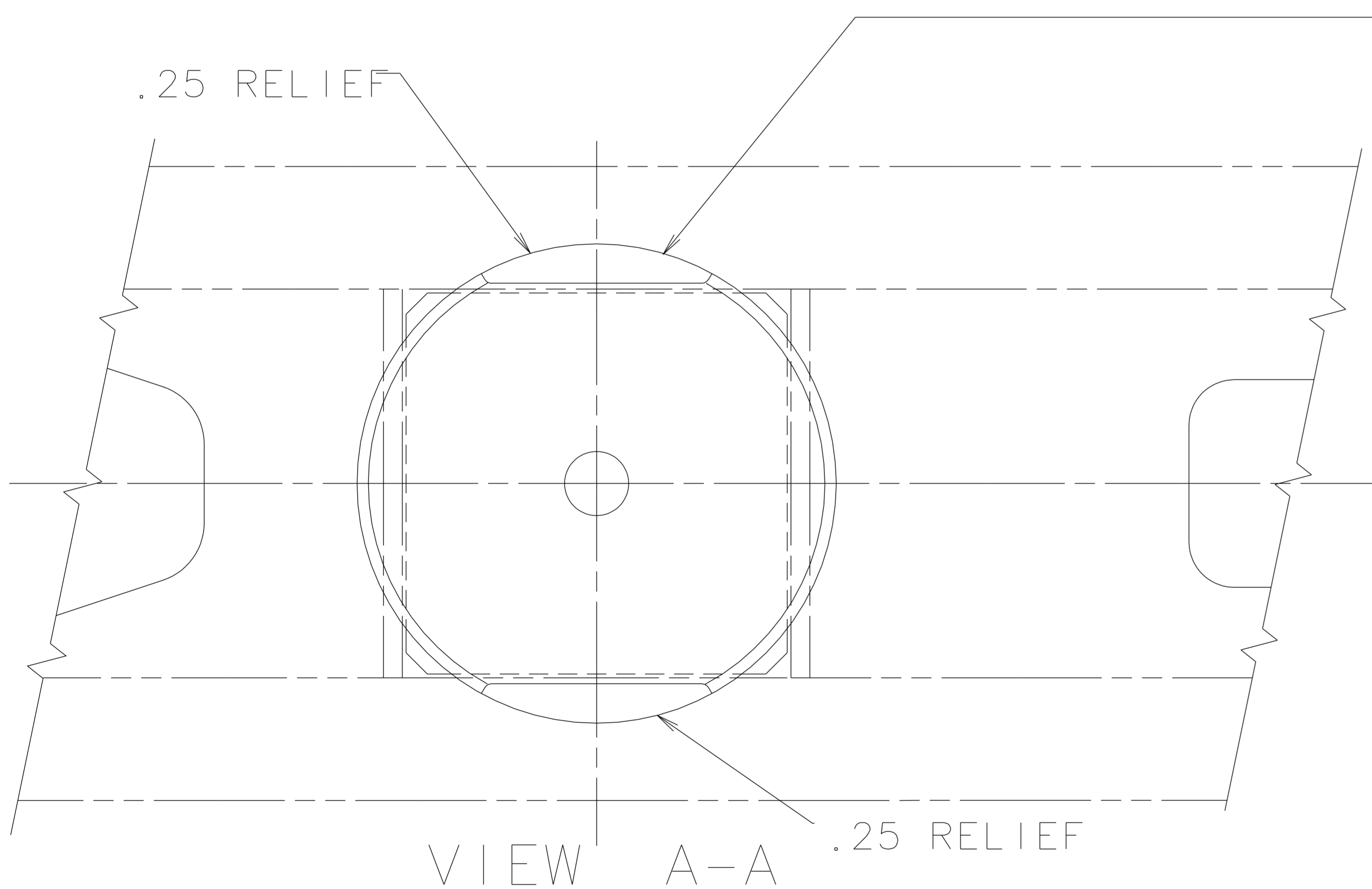
LINE NO. & QTY.				PART NO.				DWG. NO.				DESCRIPTION & MATL.				NOTE	ITEM
-	-	-	1	03	02	01	01	57319214						CENTER PLATE-ASF LOW PROFILE PATTERN NO. BS-347-AFH DWG NO. 5534-V		1	
-	-	1	-					57319222						CENTER PLATE-NATIONAL CSTG NO. 51692		2	
-	1	-	-					57319223						PLATE-CENTER, LOW PROFILE ACF DWG NO. 5-K-8578		3	
1	-	-	-					57319229						CENTER PLATE-BUCKEYE STEEL CASTINGS PATERN NO. 31-92-EX DWG NO. D-13461		4	



SWP 6122
(NO WELD
ON CORNERS)

SWP 6122

CENTER PLATE TO BE ORIENTED SO
PORTIONS WITH .25 RELIEF
ARE ON CL BOLSTER



VIEW A-A .25 RELIEF

UNLESS OTHERWISE NOTED ALL DIMS. ARE IN INCHES.
CODE NO 92-3E000
LOT NO

ACF ACF INDUSTRIES
INCORPORATED

PLATE
APPLICATION-
CENTER

RV	DATE	DR	CK	DESCRIPTION	EST WGT
B	1-16-95	TBB		UPDATED FOR MECHANIZATION	
A1	11-16-93	GLB	GMC	ADDED LINE 03 LOT 71-14373	
A	-	-	-	ORIGINAL ISSUE	

TOLERANCE UNLESS NOTED		
DEC +/-	.06	FRAC +/-
ANG +/-		
DRAFTER	WUC	10-29-92
CHECKER	GLB	11-2-92
GROUP LDR	JF	11-9-92
APPL ENGR	SAC	11-6-92
STR ENGR	MRW	11-4-92
PROJ ENGR	KEA	11-3-92

DWG NO. 3-U-3150
SIZE C

SCALE 3/16 SHEET

THIS DRAWING AND THE INFORMATION CONTAINED THEREIN ARE CONFIDENTIAL AND THE PROPERTY OF ACF INDUSTRIES. NO USE OR DISCLOSURE OF THE DRAWING OR INFORMATION CONTAINED THEREIN SHALL BE MADE WITHOUT PRIOR WRITTEN CONSENT OF ACF INDUSTRIES.